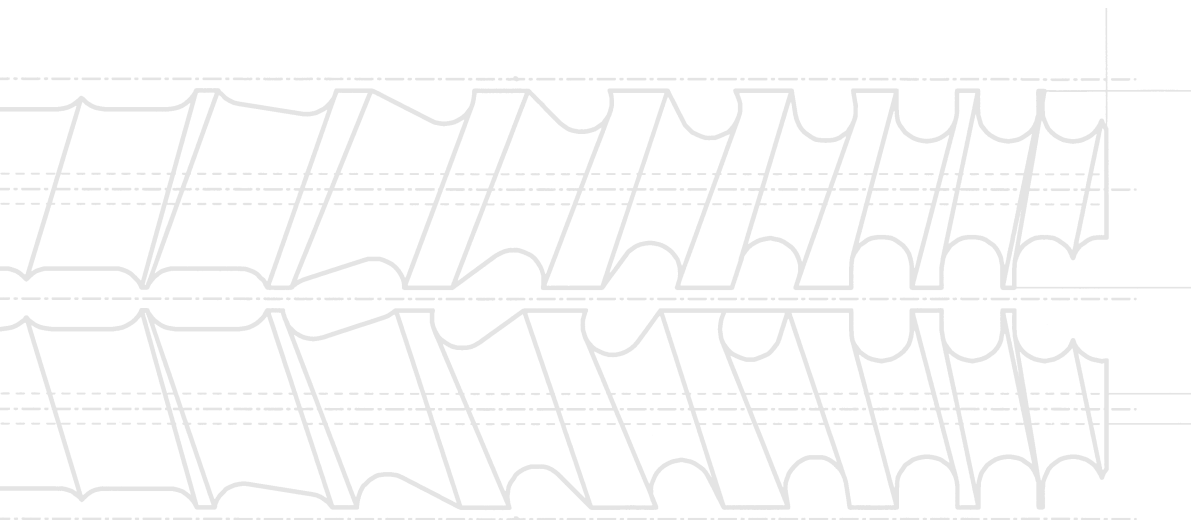
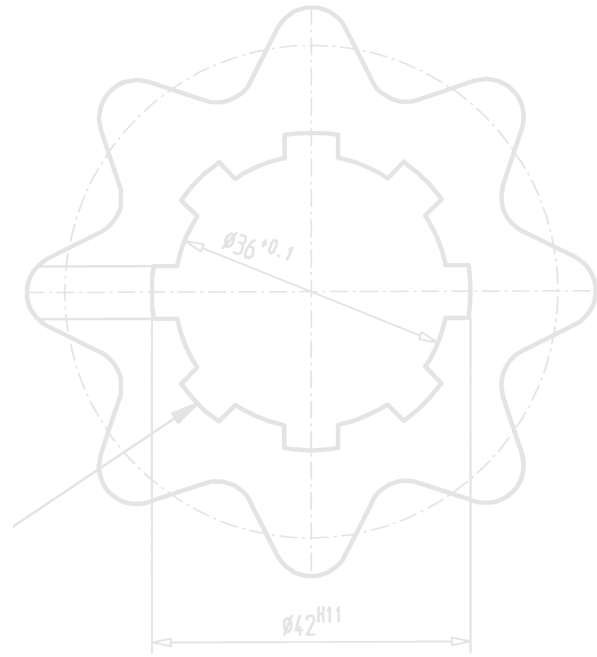
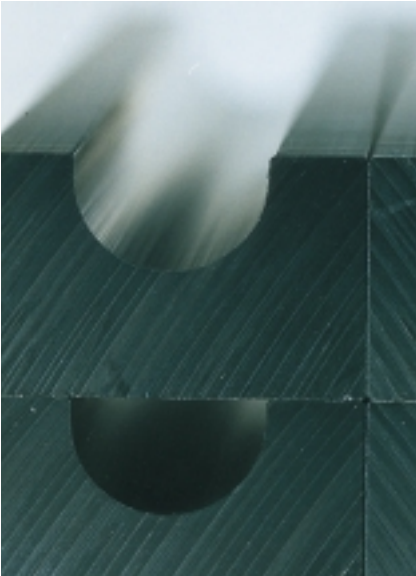




Belt Guides
for Round Belts, V-Belts to DIN2215,
Flat Belts and Flat V-Belts



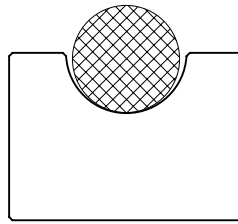
Belt Guides



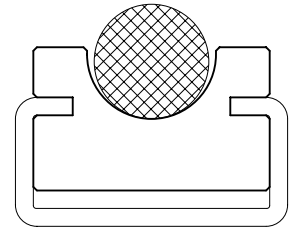
Metal supports and guides lead to heavy abrasion on belts and need higher drive forces due to the high level of friction between belt and guides.

By contrast, Original Material "S"[®] black antistatic offers clear advantages. That is why we recommend it for guides of round belts, V-belts, flat belts and flat V-belts.

For round belts

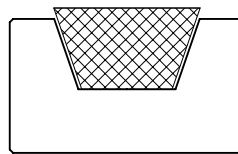


Type RR
on pg 122

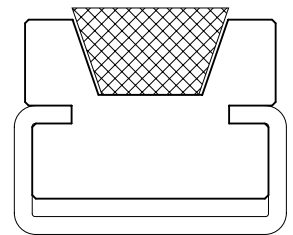


Type RRC
on pg 123

For V-belts

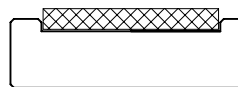


Type KR
on pg 124

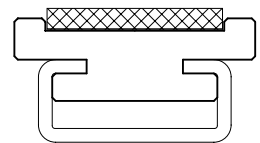


Type KRC
on pg 125

For flat belts

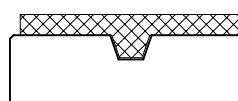


Type FR
on pg 126

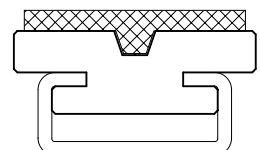


Type FRC
on pg 127

For flat V-belts



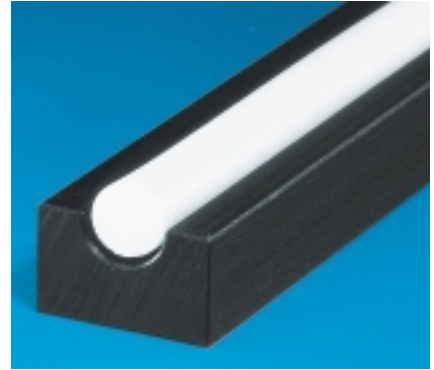
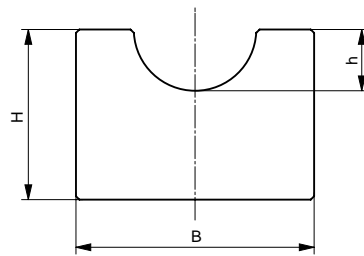
Type FK
on pg 128



Type FKC
on pg 129

Type RR (Original Material "S"[®] black antistatic)

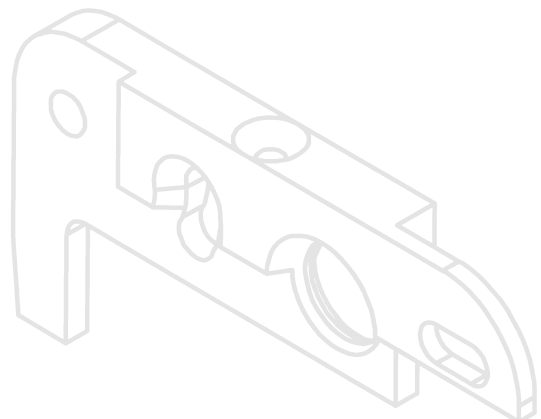
Guides for Round Belts



Belt type/ø	B mm	H mm	h mm	Weight kg/m	Length belt guide (tolerance +0/+7) mm	Part no.	Availability
5.0	20	10	3	0.18	2000	231 010 027	●
6.3	20	10	4	0.17	2000	231 010 028	●
8.0	20	12	5	0.20	2000	231 010 029	●
9.5	25	15	6	0.30	2000	231 010 030	●
12.5	28	20	8	0.49	2000	231 010 031	●
15.0	33	25	10	0.70	2000	231 010 032	●
18.0	38	25	12	0.78	2000	231 010 033	●

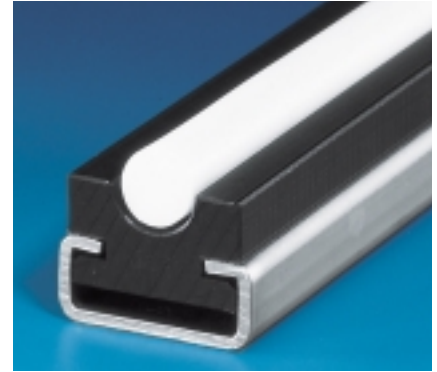
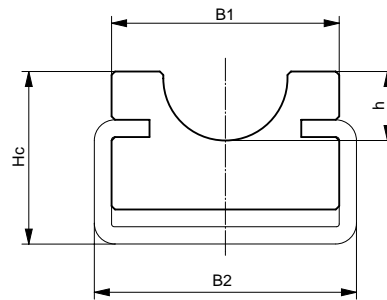
Special sizes/designs, other technical or high-performance materials on request.
Intermediate sizes available at short notice and charged at full meter prices. Tolerances at cross-section of profile to DIN2768, tolerance class m.
Properties of materials, see pg 14.

- ex stock
- at short notice on request



Type RRC (Original Material "S"[®] black antistatic)

Guides with Steel C-Profile for Round Belts



Belt type/ø	C-profile type	B ₁ mm	B ₂ m	H _c mm	h mm	Weight kg/m	Length belt guide (tolerance +0/+7) mm	Length steel C-profile (tolerance +0/+40) mm	Part no.	Availability
5.0	C3	20	20	15	3	0.63	2000	2000 6000	231 110 235 231 110 335	● ●
6.3	C3	20	20	18	4	0.71	2000	2000 6000	231 110 236 231 110 336	● ●
8.0	C3	20	20	18	5	0.70	2000	2000 6000	231 110 237 231 110 337	● ●
9.5	C5	25	28	20	6	1.12	2000	2000 6000	231 110 238 231 110 338	● ●
12.5	C5	28	28	20	8	1.12	2000	2000 6000	231 110 239 231 110 339	● ●
15.0	C9	33	38	25	10	1.93	2000	2000 6000	231 110 240 231 110 340	● ●
18.0	C9	38	38	25	12	1.92	2000	2000 6000	231 110 241 231 110 341	● ●

Special sizes/designs, other technical or high-performance materials on request.
Steel C-profile in stainless steel (V2A) also available ex stock.
Belt guides also available without steel C-profile.
Intermediate sizes available at short notice and charged at full meter prices.

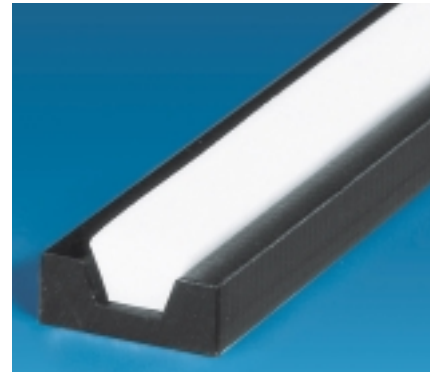
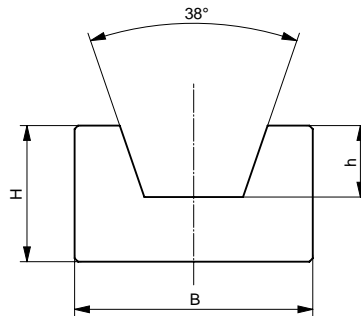
Tolerances at cross-section of plastic profile to DIN2768, tolerance class m.
Tolerances and sizes of steel C-profiles, see pp 135-136. Properties of materials, see pg 14.

- ex stock
- at short notice on request

Type KR (Original Material "S"[®] black antistatic)

Guides for V-Belts

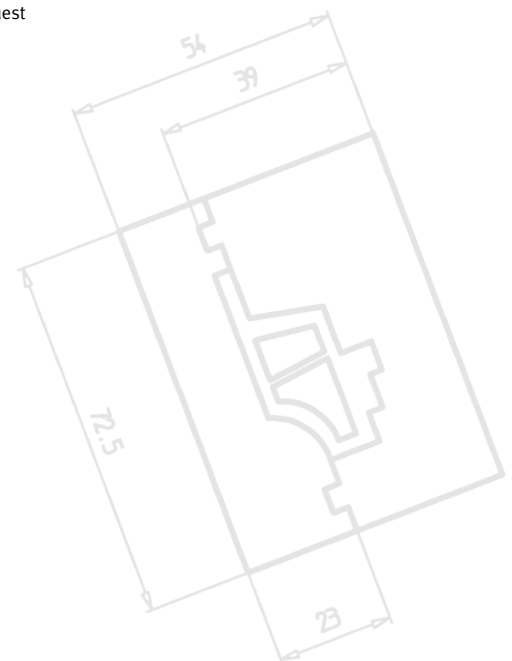
to **DIN2215**



Belt type w x h	B mm	H mm	h mm	Weight kg/m	Length belt guide (tolerance +0/+7) mm	Part no.	Avail- ability
8 x 5	20	10	3.5	0.17	2000	231 010 005	○
10 x 6	20	10	4.5	0.16	2000	231 010 006	●
13 x 8	20	12	6.0	0.17	2000	231 010 007	●
17 x 11	30	15	8.0	0.33	2000	231 010 008	●
20 x 12.5	30	20	9.0	0.43	2000	231 010 009	○
22 x 14	35	20	10.5	0.49	2000	231 010 010	●
25 x 16	40	25	12.0	0.73	2000	231 010 011	○
32 x 20	50	30	16.0	1.04	2000	231 010 012	○
40	60	35	21.0	1.37	2000	231 010 013	○

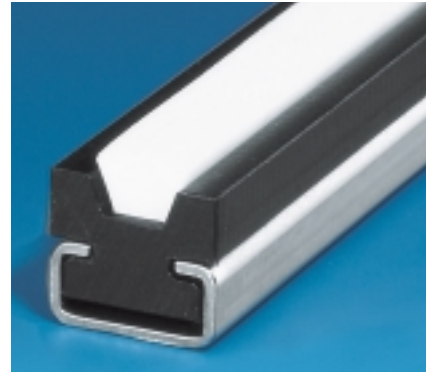
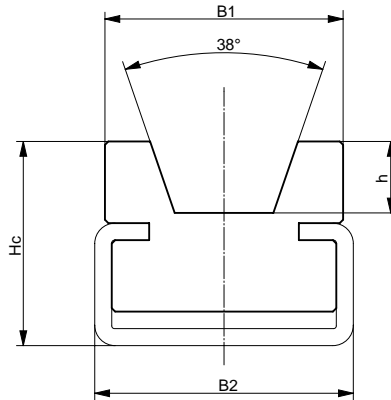
Special sizes/designs, other technical or high-performance materials on request.
Intermediate sizes available at short notice and charged at full meter prices.
Tolerances at cross-section of profile to DIN2768, tolerance class m.
Properties of materials, see pg 14.

- ex stock
- at short notice on request



Type KRC (Original Material "S"[®] black antistatic)

Guides with Steel C-Profile for V-Belts to **DIN2215**



Belt type w x h	C- profile type	B ₁ mm	B ₂ mm	H _c mm	h mm	Weight kg/m	Length belt guide (tolerance +0/+7) mm	Length steel C-profile (tolerance +0/+40) mm	Part no.	Avail- ability
8 x 5	C3	20	20	15	3.5	0.63	2000	2000 6000	231 110 213 231 110 313	● ●
10 x 6	C3	20	20	18	4.5	0.70	2000	2000 6000	231 110 214 231 110 314	● ●
13 x 8	C5	25	28	22	6.0	1.19	2000	2000 6000	231 110 215 231 110 315	● ●
17 x 11	C5	30	28	24	8.0	1.20	2000	2000 6000	231 110 216 231 110 316	● ●
20 x 12.5	C5	30	28	24	9.0	1.18	2000	2000 6000	231 110 217 231 110 317	● ●
22 x 14	C9	35	38	30	10.5	2.06	2000	2000 6000	231 110 218 231 110 318	● ●
25 x 16	C9	40	38	32	12.0	2.05	2000	2000 6000	231 110 219 231 110 319	● ●
32 x 20	C12	60	60	40	16.0	3.66	2000	2000 6000	231 110 220 231 110 320	● ●
40	C12	60	60	40	21.0	3.37	2000	2000 6000	231 110 221 231 110 321	● ●

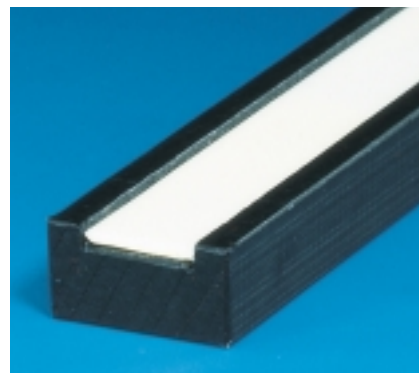
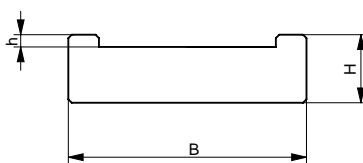
Special sizes/designs, other technical or high-performance materials on request.
Steel C-profile in stainless steel (V2A) also available ex stock.
Belt guides also available without steel C-profile.
Intermediate sizes available at short notice and charged at full meter prices.

Tolerances at cross-section of plastic profile to DIN2768, tolerance class m.
Tolerances and sizes of steel C-profiles, see pp 135-136. Properties of materials, see pg 14.

- ex stock
- at short notice on request

Type FR (Original Material "S"[®] black antistatic)

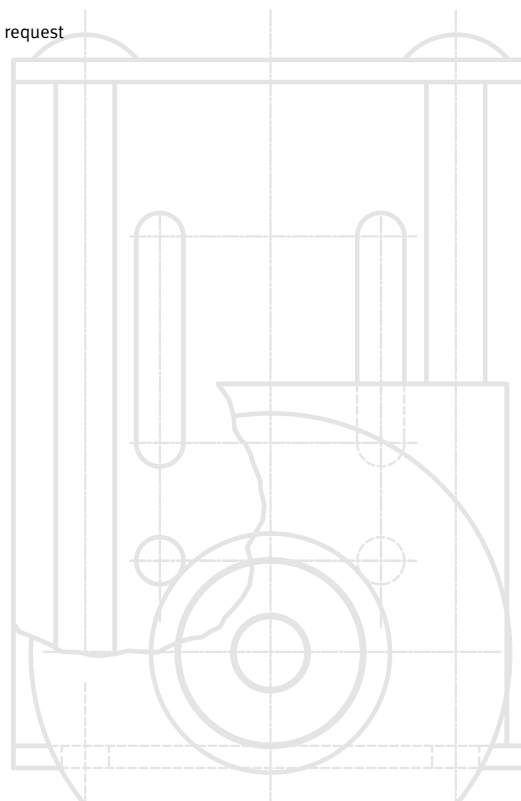
Guides for V-Belts



Belt type	B mm	H mm	h mm	Weight kg/m	Length belt guide (tolerance +0/+7) mm	Part no.	Avail-ability
25/T 5	35	10	1.8	0.29	2000	231 010 014	●
32/T 5	45	12	1.8	0.45	2000	231 010 015	●
25/T10	35	12	3.8	0.30	2000	231 010 016	●
32/T10	45	12	3.8	0.39	2000	231 010 017	●
50/T10	65	15	3.8	0.73	2000	231 010 018	●
75/T10	90	15	3.8	1.00	2000	231 010 019	●
100/T10	115	18	3.8	1.59	2000	231 010 020	●

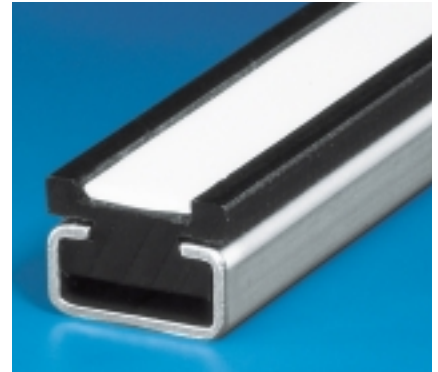
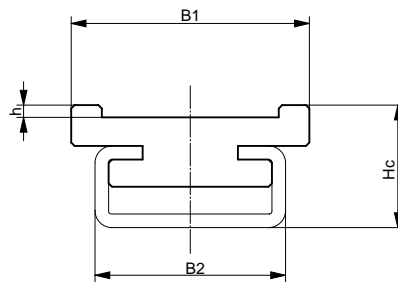
Special sizes/designs, other technical or high-performance materials on request.
 Intermediate sizes available at short notice and charged at full meter prices.
 Tolerances at cross-section of profile to DIN2768, tolerance class m. Properties of materials, see pg 14.

- ex stock
- at short notice on request



Type FRC (Original Material "S"[®] black antistatic)

Guides with Steel C-Profile for Flat Belts



Belt type	C-profile type	B ₁ mm	B ₂ mm	H _c mm	h mm	Weight kg/m	Length belt guide (tolerance +0/+7) mm	Length steel C-profile (tolerance +0/+40) mm	Part no.	Availability
25/T 5	C5	35	28	18	1.8	1.13	2000	2000 6000	231 110 222 231 110 322	● ●
32/T 5	C5	45	28	18	1.8	1.17	2000	2000 6000	231 110 223 231 110 323	● ●
25/T10	C5	35	28	20	3.8	1.17	2000	2000 6000	231 110 224 231 110 324	● ●
32/T10	C5	45	28	20	3.8	1.22	2000	2000 6000	231 110 225 231 110 325	● ●
50/T10	C4	65	50	20	3.8	1.91	2000	2000 6000	231 110 226 231 110 326	● ●
75/T10	C6	90	80	20	3.8	2.78	2000	2000 6000	231 110 227 231 110 327	● ●
100/T10	C6	115	80	20	3.8	2.93	2000	2000 6000	231 110 228 231 110 328	● ●

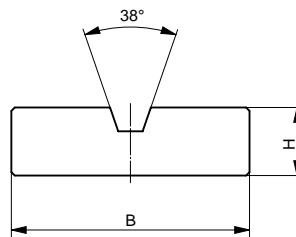
Special sizes/designs, other technical or high-performance materials on request.
Steel C-profile in stainless steel (V2A) also available ex stock.
Belt guides also available without steel C-profile.
Intermediate sizes available at short notice and charged at full meter prices.

Tolerances at cross-section of plastic profile to DIN2768, tolerance class m.
Tolerances and sizes of steel C-profiles, see pp 135-136. Properties of materials, see pg 14.

- ex stock
- at short notice on request

Typ FK (Original Material "S"[®] black antistatic)

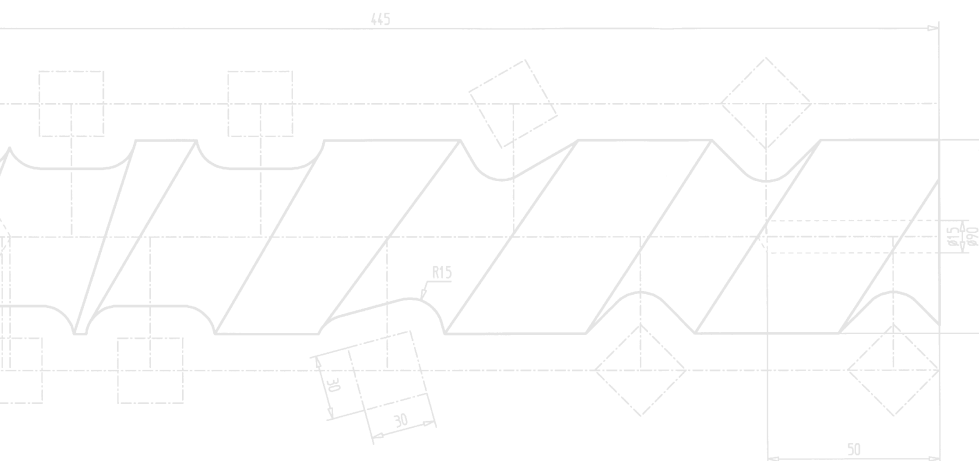
Guides for Flat V-Belts



Belt type	B mm	H mm	Weight kg/m	Length belt guide (tolerance +0/+7) mm	Part no.	Availability
25/TK 5	28	10	0.25	2000	231 010 021	●
32/TK 5	35	10	0.31	2000	231 010 022	●
32/TK10	35	12	0.36	2000	231 010 023	●
50/TK10	55	12	0.59	2000	231 010 024	●
75/TK10	80	15	1.07	2000	231 010 025	●
100/TK10	105	15	1.43	2000	231 010 026	●

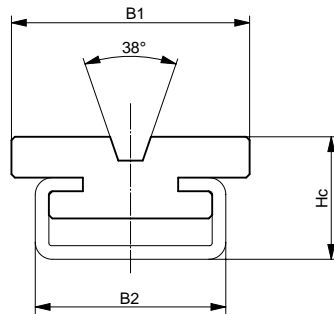
Special sizes/designs, other technical or high-performance materials on request.
 Intermediate sizes available at short notice and charged at full meter prices.
 Tolerances at cross-section of profile to DIN2768, tolerance class m.
 Properties of materials, see pg 14.

- ex stock
- at short notice on request



Type FKC (Original Material "S"[®] black antistatic)

Guides with Steel C-Profile for Flat V-Belts



Belt type	C-profile type	B ₁ mm	B ₂ mm	H _c mm	Weight kg/m	Length belt guide (tolerance +0/+7) mm	Length steel C-profile (tolerance +0/+40) mm	Part no.	Availability
25/TK 5	C5	28	28	18	1.12	2000	2000 6000	231 110 229 231 110 329	● ●
32/TK 5	C5	35	28	18	1.16	2000	2000 6000	231 110 230 231 110 330	● ●
32/TK10	C5	35	28	18	1.14	2000	2000 6000	231 110 231 231 110 331	● ●
50/TK10	C4	55	50	18	1.82	2000	2000 6000	231 110 232 231 110 332	● ●
75/TK10	C6	80	80	18	2.70	2000	2000 6000	231 110 233 231 110 333	● ●
100/TK10	C6	105	80	18	2.89	2000	2000 6000	231 110 234 231 110 334	● ●

Special sizes/designs, other technical or high-performance materials on request.
Steel C-profile in stainless steel (V2A) also available ex stock.
Belt guides also available without steel C-profile.
Intermediate sizes available at short notice and charged at full meter prices.

Tolerances at cross-section of plastic profile to DIN2768, tolerance class m.
Tolerances and sizes of steel C-profiles, see pp 135-136. Properties of materials, see pg 14.

- ex stock
- at short notice on request

