

magris

COMPONENTS FOR CONVEYORS



ACCESSORIES



08

2008 ACCESSORIES CATALOG

contents	4	812/815/815G/881M Series Machined sprockets
	5	812/815/881M Series Machined idler wheels
	7	812/815/881M Series Injected sprockets and idler wheels
	7	812/815/881M Series Injected sprockets
	8	812/815/881M Series Injected idler wheels
	9	815 mini Series Machined sprockets
	10	815 mini Series Machined idler wheels
	12	802/802G/804/805 Series Machined sprockets
	13	802/802G/804/805 Series Machined idler wheels
	15	802/802G/804/805 Series Injected sprockets and idler wheels
	15	802/802G/804/805 Series Injected idler wheels
	16	8127/8817M-G Series Machined sprockets
	17	8127/8817M-G Series Machined idler wheels
	19	8127/8817M-G Series Injected sprockets and idler wheels
	19	8127/8817M-G Series Injected idler wheels
	20	881/8811/881TAB/8811TAB/881R-TAB/815TAB-G/881G/881TAB-G Series Machined sprockets
	21	881/8811/881TAB/8811TAB/881TAB/815TAB-G/881G/881TAB-G Series Machined idler wheels
	22	881TAB/8811TAB/881R-TAB/815TAB-G/881TAB-G Series Machined idler wheels
	23	881/8811/881G Series Machined idler wheels
	24	881/8811/881TAB/8811TAB Series Injected sprockets
	25	881/8811/881TAB/881R-TAB/815TAB-G/881G/881TAB Series Injected idler wheels
	25	881TAB/8811TAB/881R-TAB/815TAB-G/881TAB-G Series Injected idler wheels
	26	881/8811/881G Series Injected idler wheels

- 27** 820/831/831LBP/831VG Series
Machined sprockets
- 28** 820/831/831LBP/831G Series
Machined idler wheels
- 30** 820 Series
Injected sprockets and idler wheels
- 30** 820 Series
Injected sprockets
- 31** 831 Series
Injected sprockets
- 31** 820/831/831LBP/831G Series
Injected idler wheels
- 32** 821/821LBP/821G Series
Machined sprockets
- 33** 821/821LBP/821G Series
Machined idler wheels
- 34** 821/821LBP/821G Series
Injected sprockets and idler wheels
- 35** 821/821LBP/821G Series
Injected idler wheels
- 36** 878TAB/879G/M-879TAB/880G/880TAB/880M Series
Machined sprockets
- 37** 878TAB/879G/M-879TAB/880G/880TAB/880M Series
Machined idler wheels
- 38** 878/879/879M/879M-G Series
Machined idler wheels
- 39** 878TAB/878TAB-G/879TAB/879TAB-G/880TAB Series
Machined idler wheels
- 40** 878TAB/878TAB-G/879TAB/879TAB-G/880TAB Series
Injected sprockets and idler wheels
- 41** 879/M-879M/880G/880M Series
Injected idler wheels
- 41** 878TAB/G-879TAB/G-880TAB Series
Injected idler wheels
- 42** 882BEVEL/882TAB/882M/8257/LBP8257/LBP882M/
LBP882TAB/8257G/882TAB-G/882M-G Series
Machined sprockets
- 43** 882BEVEL/882TAB/882M/8257/LBP8257/LBP882M/
LBP882TAB/8257G/882TAB-G/882M-G Series
Machined idler wheels
- 44** 882TAB/LBP882TAB/882TAB-G Series
Machined idler wheels
- 45** 882M/8257/8257LBP/882LBP-M/8257G/882M-G Series
Machined idler wheels
- 46** 882BEVEL/882TAB/882M/8257/LBP8257 Series
Injected sprockets and idler wheels
- 47** 882M/8257/8257LBP/882LBP-M/8257G/882M-G Series
Injected idler wheels
- 47** 882TAB/LBP882TAB/882TAB-G Series
Injected idler wheels
- 48** 780TAB/790TAB Series
Injected sprockets and idler wheels
- 48** 780TAB/790TAB Series
Machined sprockets
- 49** 1700/1700TAB/1702 Series
Machined sprockets and idler wheels
- 50** 1700/1700TAB/1702/1710 Series
Injected sprockets and idler wheels
- 51** 600/600TAB
Machined sprockets and idler wheels
- 51** 1400 Series
Standard sprockets
- 52** Key seat tolerance and dimensions
UNI 6604-69/ISO773/DIN6585
- 54** RXMC/RXMS/RXM/RXM316/RXMA/FMS/
FMD/FM/FMS2/FM2/RXMS/G/TAB Flex series
Sideflex guides for TAB chain
- 56** RXMC/RXMS/RXM/RXM316/RXMA/RXMS/G Flex series
Sideflex guides for Bevel 8° type chain
- 58** 882TAB/LBP882TAB/882TAB-G Series
Sideflex guides for chain
- 59** 882TAB/882 BEVEL 8° Series
Sideflex guides for chain
- 60** 882 Series
Sideflex guides for Bevel 8° type chain
- 61** 1873/1874 Series
Sideflex guides for TAB chain
- 64** 881/881TAB/882TAB/1873TAB/1874TAB Series
Straight guides for table top chains
- 64** Serie 878/879/880/881/8811/882
Guide rettilinee per catene tipo 8° Bevel
- 66** Guides rail profiles for conveyor chains
- 70** Conveyor belts
- 70** Conveyor design
- 72** Credits



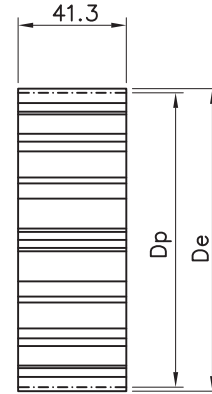
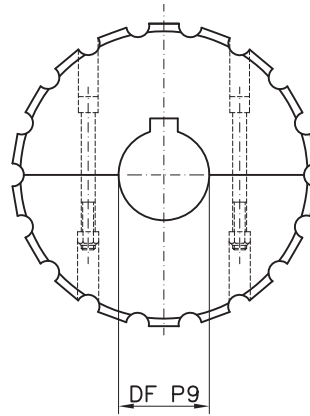
MACHINED SPROCKETS
812/815/815G/881M Series

Split sprockets

material: polyamide - screws in stainless steel

UNI 6604-69 key seat

CODE	Z	De	Dp	A	Df
S11017 18	17	103.9	105.47	55.9	18*
S11017 25					25
S11017 30					30
S11017 35					35
S11017 40					40
S11019 18	19	117.0	117.34	61.9	18*
S11019 25					25
S11019 30					30
S11019 35					35
S11019 40					40
S11021 18	21	129.0	129.26	67.8	18*
S11021 25					25
S11021 30					30
S11021 35					35
S11021 40					40
S11023 18	23	142.0	141.21	73.8	18*
S11023 25					25
S11023 30					30
S11023 35					35
S11023 40					40
S11025 18	25	154.0	153.21	79.8	18*
S11025 25					25
S11025 30					30
S11025 35					35
S11025 40					40
S11027 18	27	166.8	165.2	85.8	18*
S11027 25					25
S11027 30					30
S11027 35					35
S11027 40					40
S11029 18	29	178.5	177.24	91.8	18*
S11029 25					25
S11029 30					30
S11029 35					35
S11029 40					40



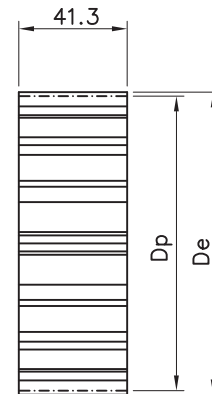
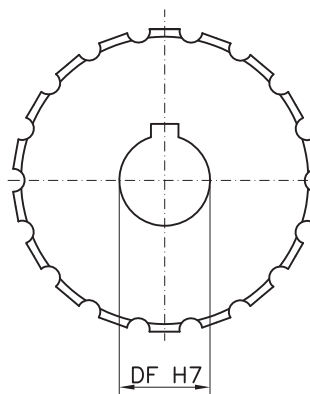
Standard sprockets

material: polyamide

UNI 6604-69 key seat

* plain bore

CODE	Z	De	Dp	A	Df
S01017 25	17	103.9	105.47	55.9	25
S01017 30					30
S01017 35					35
S01017 40					40
S01019 25					19
S01019 30	30				
S01019 35	35				
S01019 40	40				
S01021 25	21	129.0	129.26	67.8	
S01021 30					30
S01021 35					35
S01021 40					40
S01023 25					23
S01023 30	30				
S01023 35	35				
S01023 40	40				
S01025 25	25	154.0	153.21	79.8	
S01025 30					30
S01025 35					35
S01025 40					40
S01027 25					27
S01027 30	30				
S01027 35	35				
S01027 40	40				
S01029 25	29	178.5	177.24	91.8	
S01029 30					30
S01029 35					35
S01029 40					40

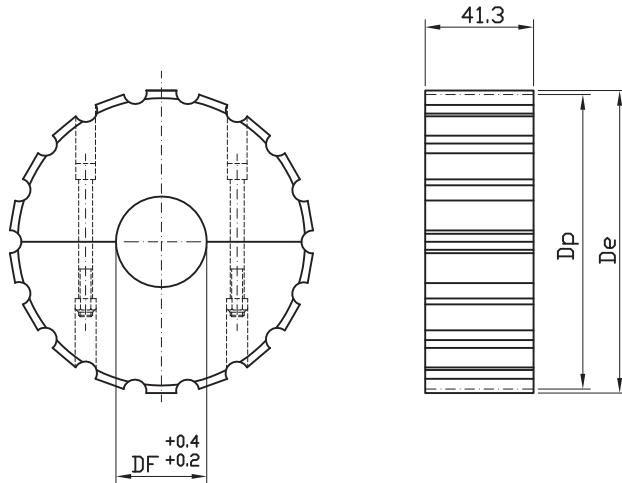


MACHINED IDLER WHEELS
812/815/881M Series



Split idler wheels

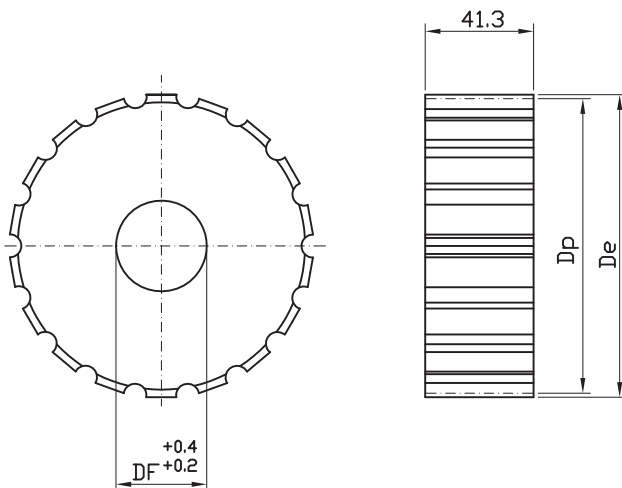
material: polyamide - screws in stainless steel



CODE	Z	De	Dp	A	Df
R11017 25	17	103.9	105.47	55.9	25
R11017 30					30
R11017 35					35
R11017 40					40
R11019 25	19	117.0	117.34	61.9	25
R11019 30					30
R11019 35					35
R11019 40					40
R11021 25	21	129.0	129.26	67.8	25
R11021 30					30
R11021 35					35
R11021 40					40
R11023 25	23	142.0	141.21	73.8	25
R11023 30					30
R11023 35					35
R11023 40					40
R11025 25	25	154.0	153.21	79.8	25
R11025 30					30
R11025 35					35
R11025 40					40
R11027 25	27	166.8	165.2	85.8	25
R11027 30					30
R11027 35					35
R11027 40					40
R11029 25	29	178.5	177.24	91.8	25
R11029 30					30
R11029 35					35
R11029 40					40

Standard idler wheels

material: polyamide



CODE	Z	De	Dp	A	Df
R01017 25	17	103.9	105.47	55.9	25
R01017 30					30
R01017 35					35
R01017 40					40
R01019 25	19	117.0	117.34	61.9	25
R01019 30					30
R01019 35					35
R01019 40					40
R01021 25	21	129.0	129.26	67.8	25
R01021 30					30
R01021 35					35
R01021 40					40
R01023 25	23	142.0	141.21	73.8	25
R01023 30					30
R01023 35					35
R01023 40					40
R01025 25	25	154.0	153.21	79.8	25
R01025 30					30
R01025 35					35
R01025 40					40
R01027 25	27	166.8	165.2	85.8	25
R01027 30					30
R01027 35					35
R01027 40					40
R01029 25	29	178.5	177.24	91.8	25
R01029 30					30
R01029 35					35
R01029 40					40

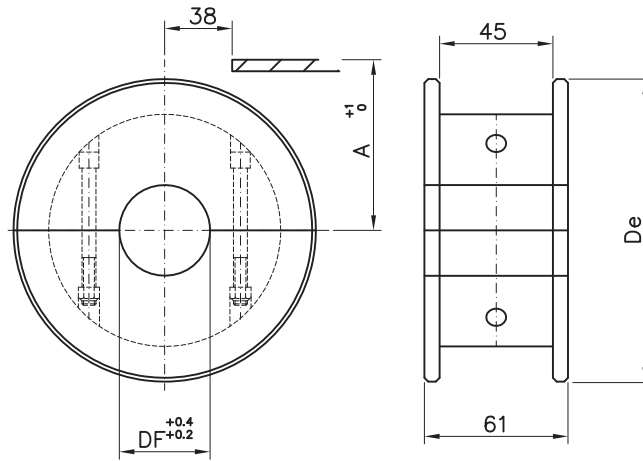


MACHINED IDLER WHEELS
812/815/881M Series

Split idler wheels

material: polyamide - screws in stainless steel

CODE	Z eq.	De	A	Df
P11617 20	17	104.0	56.2	20
P11617 25				25
P11617 30				30
P11617 35				35
P11617 40				40
P11619 20	19	117.0	62.6	20
P11619 25				25
P11619 30				30
P11619 35				35
P11619 40				40
P11621 20	21	129.8	68.6	20
P11621 25				25
P11621 30				30
P11621 35				35
P11621 40				40
P11623 20	23	142.2	74.6	20
P11623 25				25
P11623 30				30
P11623 35				35
P11623 40				40
P11625 20	25	154.7	80.5	20
P11625 25				25
P11625 30				30
P11625 35				35
P11625 40				40
P11627 20	27	167.2	88.5	20
P11627 25				25
P11627 30				30
P11627 35				35
P11627 40				40

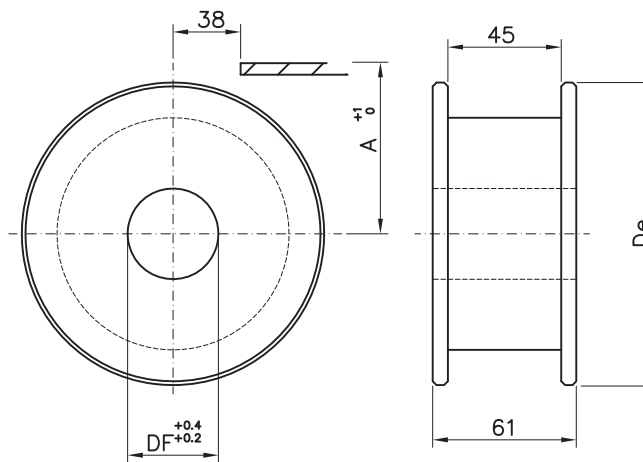


P11629 20	29	179.3	92.8	20
P11629 25				25
P11629 30				30
P11629 35				35
P11629 40				40

Standard idler wheels

material: polyamide

CODE	Z eq.	De	A	Df
P01617 20	17	104.0	56.2	20
P01617 25				25
P01617 30				30
P01617 35				35
P01617 40				40
P01619 20	19	117.0	62.6	20
P01619 25				25
P01619 30				30
P01619 35				35
P01619 40				40
P01621 20	21	129.8	68.6	20
P01621 25				25
P01621 30				30
P01621 35				35
P01621 40				40
P01623 20	23	142.2	74.6	20
P01623 25				25
P01623 30				30
P01623 35				35
P01623 40				40
P01625 20	25	154.7	80.5	20
P01625 25				25
P01625 30				30
P01625 35				35
P01625 40				40
P01627 20	27	167.2	88.5	20
P01627 25				25
P01627 30				30
P01627 35				35
P01627 40				40



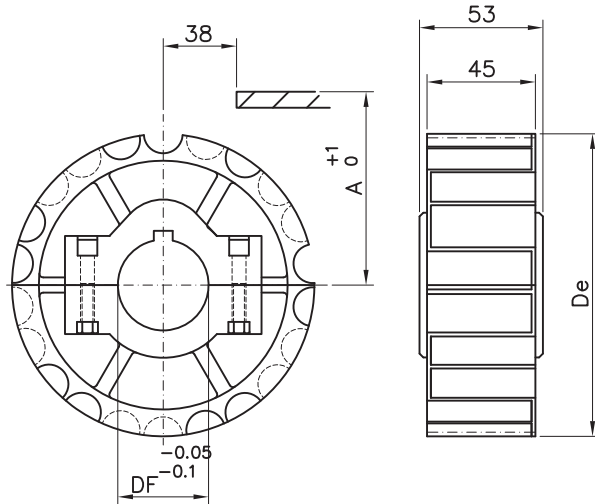
P01629 20	29	179.3	92.8	20
P01629 25				25
P01629 30				30
P01629 35				35
P01629 40				40

INJECTED SPROCKETS AND IDLER WHEELS 812/815/881M Series



Split sprockets

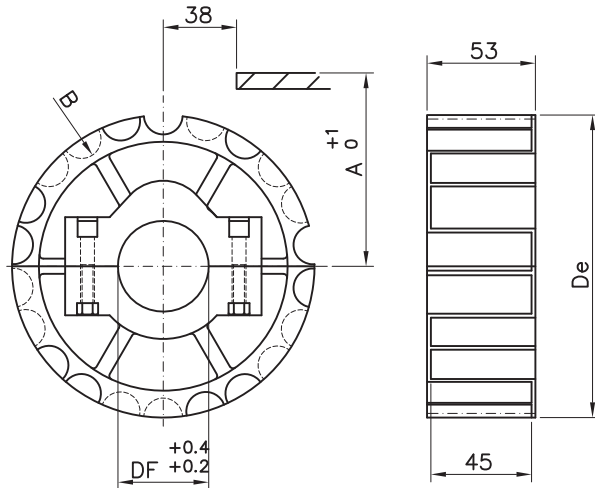
material: reinforced polyamide - screws in stainless steel
nuts in nickel plated brass - UNI 6604-69 key seat



CODE	Z	De	A	B	Df
S10021 25	21	129.0	67.8	116.1	25
S10021 30					30
S10021 35					35
S10021 40					40
S10021 45					45
S10023 25	23	142.0	73.8	128.1	25
S10023 30					30
S10023 35					35
S10023 40					40
S10023 45					45
S10025 25	25	154.0	79.8	140.1	25
S10025 30					30
S10025 35					35
S10025 40					40
S10025 45					45

Split idler wheels

material: polyamide - screws in stainless steel
nuts in nickel plated brass

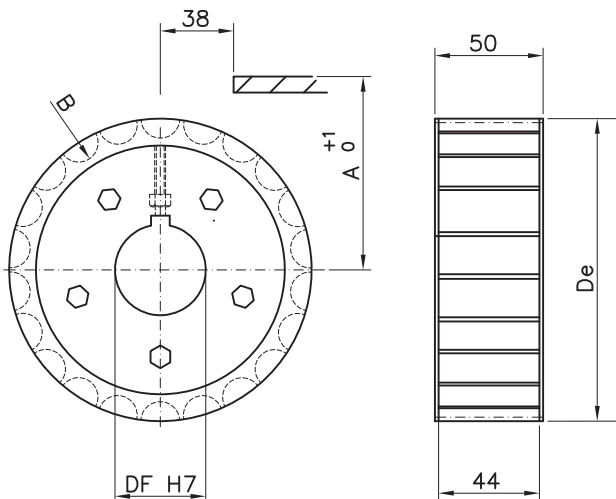


CODE	Z	De	A	B	Df
R10021 25	21	129.0	67.8	116.1	25
R10021 30					30
R10021 35					35
R10021 40					40
R10021 45					45
R10023 25	23	142.0	73.8	128.1	25
R10023 30					30
R10023 35					35
R10023 40					40
R10023 45					45
R10025 25	25	154.0	79.8	140.1	25
R10025 30					30
R10025 35					35
R10025 40					40
R10025 45					45

INJECTED SPROCKETS 812/815/881M Series

Drive sprockets

material: reinforced polyamide - screws in stainless steel
UNI 6604-69 key seat



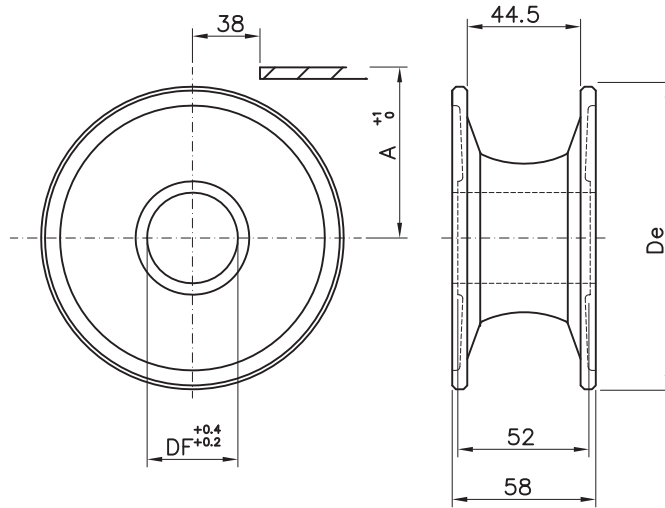
CODE	Z	De	Dp	A	B	Df
S00015 25	15	92.2	93.67	/	/	25
S00015 30						30
S00017 25	17	104.7	105.48	/	/	25
S00017 30						30
S00019 25	19	117.0	117.34	61.9	104.2	25
S00019 30						30
S00019 35						35
S00019 40						40
S00021 25						25
S00021 30	21	129.0	129.26	67.8	116.1	30
S00021 35						35
S00021 40						40
S00023 25	23	142.0	141.21	73.8	128.1	25
S00023 30						30
S00023 35						35
S00023 40						40
S00025 25						25
S00025 30	25	154.0	153.21	79.8	140.1	30
S00025 35						35
S00025 40						40



INJECTED IDLER WHEELS 812/815/881M Series

Standard idler wheels reinforced series
material: self lubricating polyamide
colour: black

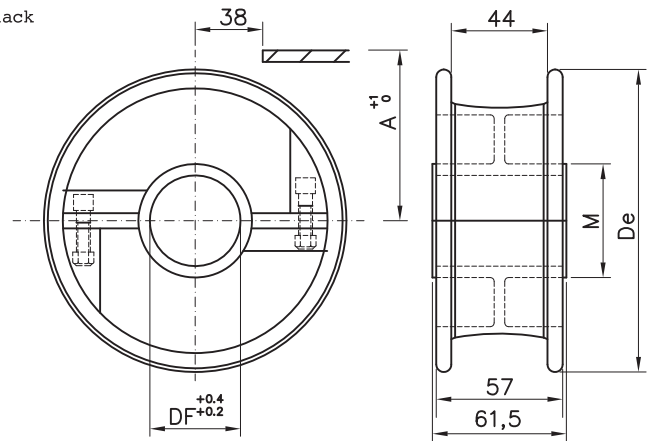
CODE	Z eq.	De	A	Df
P00615 25	15	95.5	92.0	25
P00615 30				30
P00617 25	17	106.5	57.0	25
P00617 30				30
P00618 25	18	113.0	92.0	25
P00618 30				30
P00619 20	19	117.0	62.6	20
P00619 25				25
P00619 30				30
P00619 35				35
P00619 40				40
P00621 20	21	129.8	68.6	20
P00621 25				25
P00621 30				30
P00621 35				35
P00621 40				40
P00623 20	23	142.2	74.6	20
P00623 25				25
P00623 30				30
P00623 35				35
P00623 40				40
P00625 20	25	154.7	80.5	20
P00625 25				25
P00625 30				30
P00625 35				35
P00625 40				40



Self lubricating split idler wheels

material: self lubricating polyamide - screws in stainless steel / colour: black

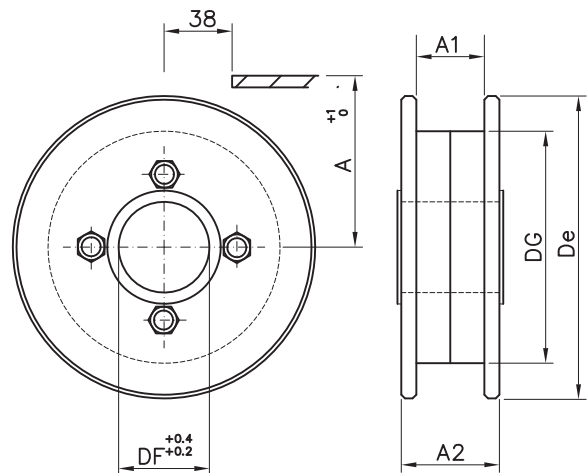
CODE	Z eq.	De	A	M	Df
P10621 25	21	130	48.2	35	25
P10621 30				40	30
P10621 35				45	35
P10621 40				50	40
P10623 25	23	142.5	74.6	40	25
P10623 30				40	30
P10623 35				50	35
P10623 40				50	40
P10625 25	25	154.5	80.5	35	25
P10625 30				40	30
P10625 35				45	35
P10625 40				50	40



Standard idler wheels reinforced series

material: self lubricating polyamide / colour: black

CODE	Z eq.	De	Dg	A	A1	A2	Df
K00615 30	15	90.0	58.0	48.2	48.0	83.0	30
K00615 35							35
K00615 40							40
K00615 45							45
K00617 25	17	106.0	71.0	56.2	44.0	52.0	25
K00617 30							30
K00619 25	19	118.0	80.0	62.6	44.0	60.0	25
K00619 30							30
K00619 35							35
K00619 40							40
K00621 25	21	129.8	80.0	68.6	44.0	60.0	25
K00621 30							30
K00621 35							35
K00621 40							40
K00623 25	23	142.5	108.0	74.6	44.0	60.0	25
K00623 30							30
K00623 35							35
K00623 40							40
K00625 25	25	155.0	108.0	80.5	44.0	60.0	25
K00625 30							30
K00625 35							35
K00625 40							40

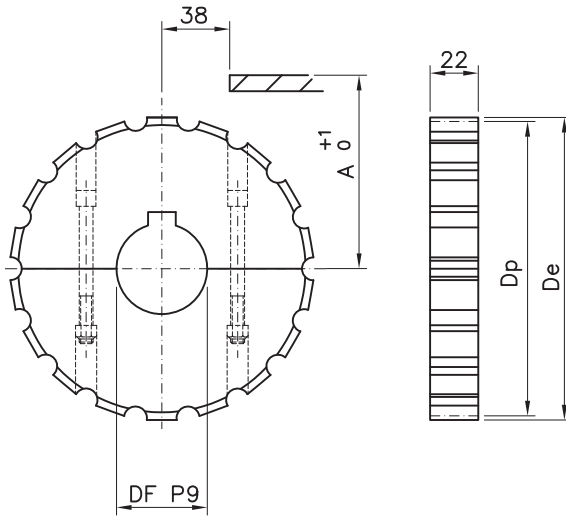




Split sprockets

material: polyamide - screws in stainless steel

UNI 6604-69 key seat



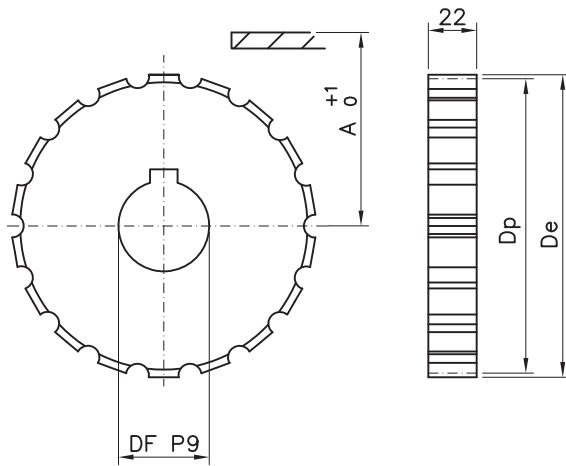
CODE	Z	De	Dp	A	Df
S11119 18	19	117.0	117.34	61.9	18*
S11119 25					25
S11119 30					30
S11119 35					35
S11119 40					40
S11121 18	21	129.0	129.26	67.8	18*
S11121 25					25
S11121 30					30
S11121 35					35
S11121 40					40
S11123 18	23	142.0	141.21	73.8	18*
S11123 25					25
S11123 30					30
S11123 35					35
S11123 40					40
S11125 18	25	154.0	153.21	79.8	18*
S11125 25					25
S11125 30					30
S11125 35					35
S11125 40					40

* plain bore

Standard sprockets

material: polyamide

UNI 6604-69 key seat



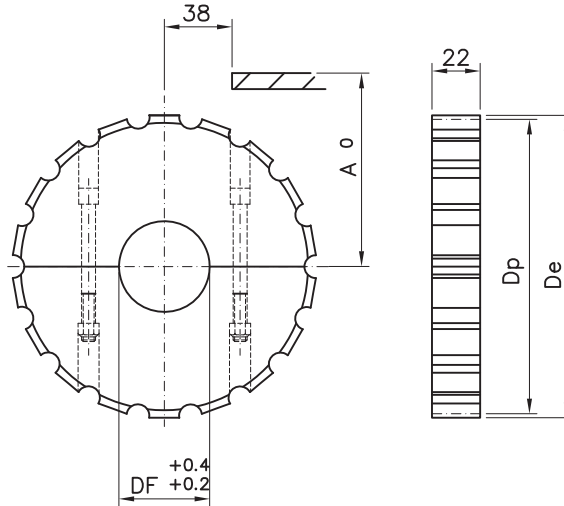
CODE	Z	De	Dp	A	Df
S01119 25	19	117.0	117.34	61.9	25
S01119 30					30
S01119 35					35
S01119 40					40
S01121 25	21	129.0	129.26	67.8	25
S01121 30					30
S01121 35					35
S01121 40					40
S01123 25	23	142.0	141.21	73.8	25
S01123 30					30
S01123 35					35
S01123 40					40
S01125 25	25	154.0	153.21	79.8	25
S01125 30					30
S01125 35					35
S01125 40					40



MACHINED IDLER WHEELS
815 mini Series

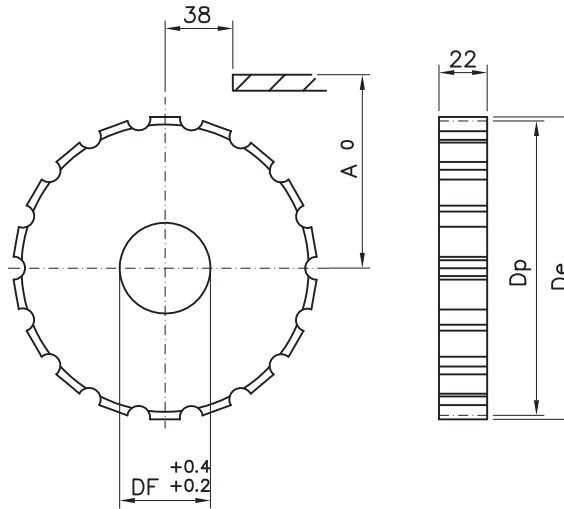
Split idler wheels
material: polyamide - screws in stainless steel
UNI 6604-69 key seat

CODE	Z eq.	De	Dp	A	Df
R11119 25	19	117.0	117.34	61.9	25
R11119 30					30
R11119 35					35
R11119 40					40
R11121 25	21	129.0	129.26	67.8	25
R11121 30					30
R11121 35					35
R11121 40					40
R11123 25	23	142.0	141.21	73.8	25
R11123 30					30
R11123 35					35
R11123 40					40
R11125 25	25	154.0	153.21	79.8	25
R11125 30					30
R11125 35					35
R11125 40					40



Standard idler wheels
material: polyamide
UNI 6604-69 key seat

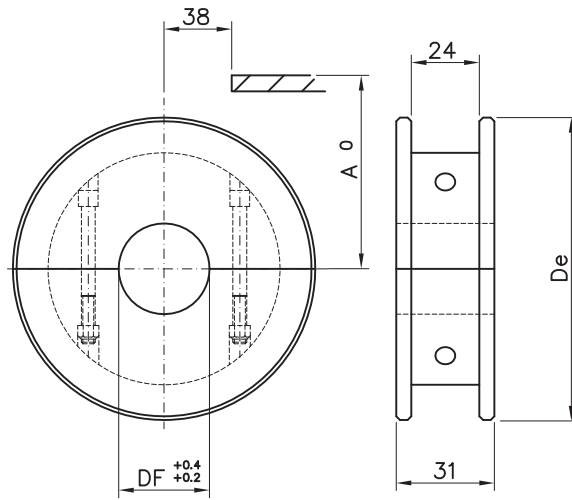
CODE	Z eq.	De	Dp	A	Df
R01119 25	19	117.0	117.34	61.9	25
R01119 30					30
R01119 35					35
R01119 40					40
R01121 25	21	129.0	129.26	67.8	25
R01121 30					30
R01121 35					35
R01121 40					40
R01123 25	23	142.0	141.21	73.8	25
R01123 30					30
R01123 35					35
R01123 40					40
R01125 25	25	154.0	153.21	79.8	25
R01125 30					30
R01125 35					35
R01125 40					40





Split idler wheels

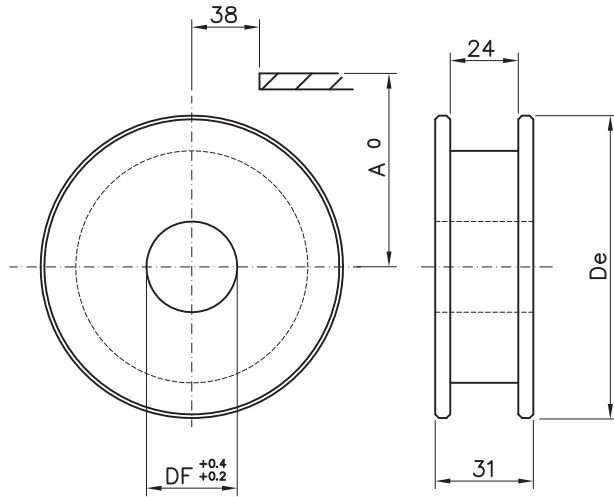
material: polyamide - screws in stainless steel



CODE	Z	De	A	Df
P11119 20	19	117.0	62.6	20
P11119 25				25
P11119 30				30
P11119 35				35
P11119 40				40
P11121 20	21	129.8	68.6	20
P11121 25				25
P11121 30				30
P11121 35				35
P11121 40				40
P11123 20	23	142.2	74.6	20
P11123 25				25
P11123 30				30
P11123 35				35
P11123 40				40
P11125 20	25	154.7	80.5	20
P11125 25				25
P11125 30				30
P11125 35				35
P11125 40				40

Standard idler wheels

material: polyamide



CODE	Z	De	A	Df
P01119 20	19	117.0	62.6	20
P01119 25				25
P01119 30				30
P01119 35				35
P01119 40				40
P01121 20	21	129.8	68.6	20
P01121 25				25
P01121 30				30
P01121 35				35
P01121 40				40
P01123 20	23	142.2	74.6	20
P01123 25				25
P01123 30				30
P01123 35				35
P01123 40				40
P01125 20	25	154.7	80.5	20
P01125 25				25
P01125 30				30
P01125 35				35
P01125 40				40



MACHINED SPROCKETS
802/802G/804/805 Series

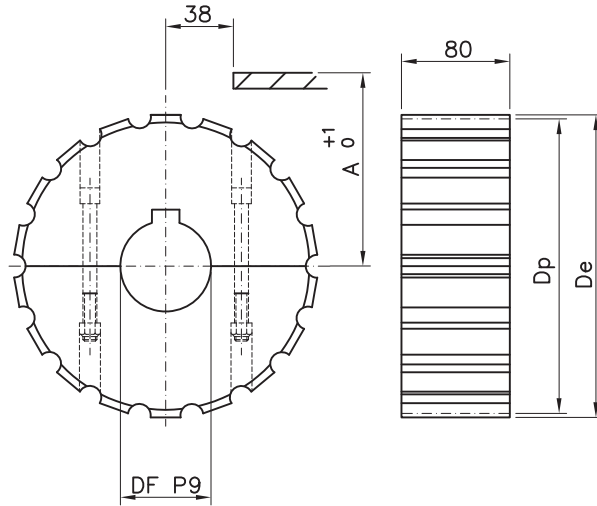
Split sprockets

material: polyamide - screws in stainless steel

UNI 6604-69 key seat

CODE	Z	De	Dp	A	Df
S11719 18	19	117.0	117.34	61.9	18*
S11719 25					25
S11719 30					30
S11719 35					35
S11719 40					40
S11721 18	21	129.0	129.26	67.8	18*
S11721 25					25
S11721 30					30
S11721 35					35
S11721 40					40
S11723 18	23	142.0	141.21	73.8	18*
S11723 25					25
S11723 30					30
S11723 35					35
S11723 40					40
S11725 18	25	154.0	153.21	79.8	18*
S11725 25					25
S11725 30					30
S11725 35					35
S11725 40					40
S11727 18	27	166.8	165.2	85.8	18*
S11727 25					25
S11727 30					30
S11727 35					35
S11727 40					40
S11729 18	29	178.5	177.24	91.8	18*
S11729 25					25
S11729 30					30
S11729 35					35
S11729 40					40

* plain bore

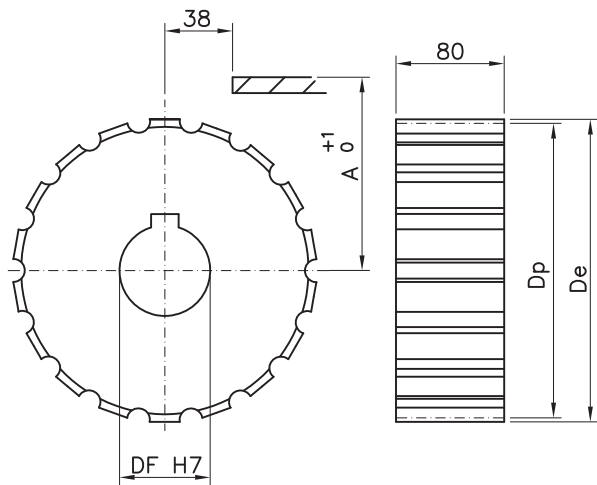


Standard sprockets

material: polyamide

UNI 6604-69 key seat

CODE	Z	De	Dp	A	Df
S01719 25	19	117.0	117.34	61.9	25
S01719 30					30
S01719 35					35
S01719 40					40
S01721 25					21
S01721 30	30				
S01721 35	35				
S01721 40	40				
S01723 25	23	142.0	141.21	73.8	
S01723 30					30
S01723 35					35
S01723 40					40
S01725 25					25
S01725 30	30				
S01725 35	35				
S01725 40	40				
S01727 25	27	166.8	165.2	85.8	
S01727 30					30
S01727 35					35
S01727 40					40
S01729 25					29
S01729 30	30				
S01729 35	35				
S01729 40	40				

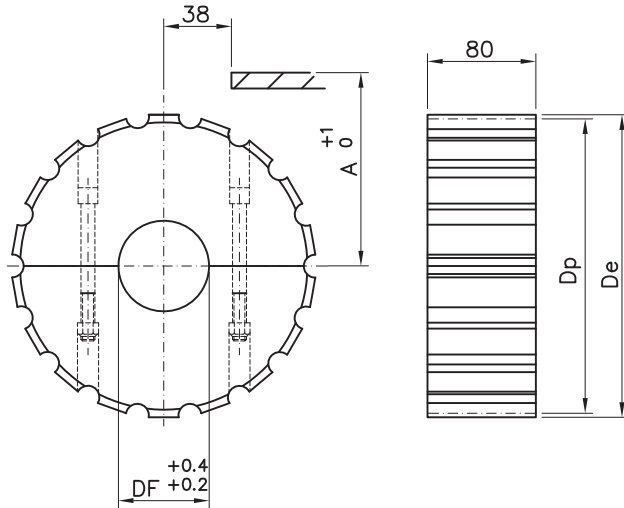


MACHINED IDLER WHEELS
802/802G/804/805 Series



Split idler wheels

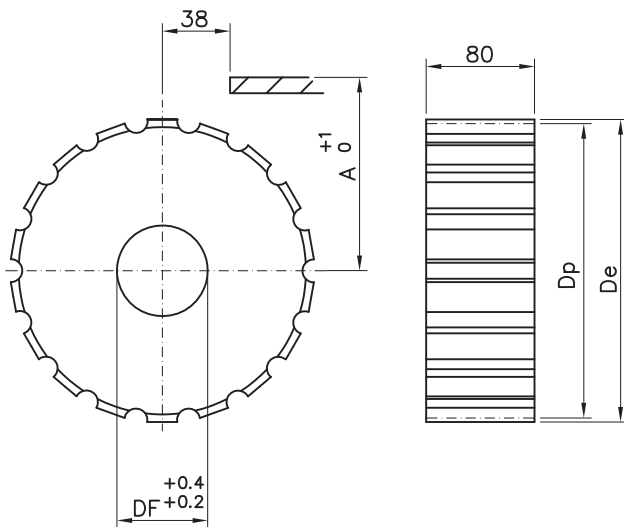
material: polyamide - screws in stainless steel



CODE	Z eq.	De	Dp	A	Df
R11719 25	19	117.0	117.34	61.9	25
R11719 30					30
R11719 35					35
R11719 40					40
R11721 25	21	129.0	129.26	67.8	25
R11721 30					30
R11721 35					35
R11721 40					40
R11723 25	23	142.0	141.21	73.8	25
R11723 30					30
R11723 35					35
R11723 40					40
R11725 25	25	154.0	153.21	79.8	25
R11725 30					30
R11725 35					35
R11725 40					40
R11727 25	27	166.8	165.2	85.8	25
R11727 30					30
R11727 35					35
R11727 40					40
R11729 25	29	178.5	177.24	91.8	25
R11729 30					30
R11729 35					35
R11729 40					40

Standard idler wheels

material: polyamide



CODE	Z	De	Dp	A	Df
R01719 25	19	117.0	117.34	61.9	25
R01719 30					30
R01719 35					35
R01719 40					40
R01721 25	21	129.0	129.26	67.8	25
R01721 30					30
R01721 35					35
R01721 40					40
R01723 25	23	142.0	141.21	73.8	25
R01723 30					30
R01723 35					35
R01723 40					40
R01725 25	25	154.0	153.21	79.8	25
R01725 30					30
R01725 35					35
R01725 40					40
R01727 25	27	166.8	165.2	85.8	25
R01727 30					30
R01727 35					35
R01727 40					40
R01729 25	29	178.5	177.24	91.8	25
R01729 30					30
R01729 35					35
R01729 40					40

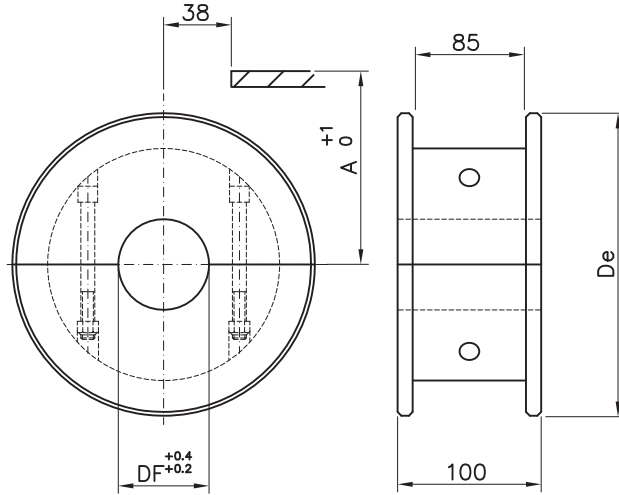


MACHINED IDLER WHEELS
802/802G/804/805 Series

Split idler wheels

material: polyamide - screws in stainless steel

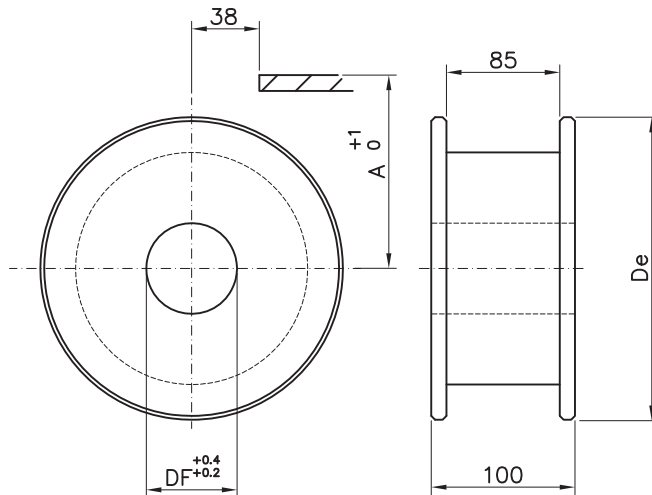
CODE	Z eq.	De	A	Df
P11219 20	19	117.0	62.6	20
P11219 25				25
P11219 30				30
P11219 35				35
P11219 40				40
P11221 20	21	129.8	68.6	20
P11221 25				25
P11221 30				30
P11221 35				35
P11221 40				40
P11223 20	23	142.2	74.6	20
P11223 25				25
P11223 30				30
P11223 35				35
P11223 40				40
P11225 20	25	154.7	80.5	20
P11225 25				25
P11225 30				30
P11225 35				35
P11225 40				40
P11227 20	27	167.2	88.5	20
P11227 25				25
P11227 30				30
P11227 35				35
P11227 40				40
P11229 20	29	179.3	92.8	20
P11229 25				25
P11229 30				30
P11229 35				35
P11229 40				40



Standard idler wheels

material: polyamide

CODE	Z eq.	De	A	Df
P01219 20	19	117.0	62.6	20
P01219 25				25
P01219 30				30
P01219 35				35
P01219 40				40
P01221 20	21	129.8	68.6	20
P01221 25				25
P01221 30				30
P01221 35				35
P01221 40				40
P01223 20	23	142.2	74.6	20
P01223 25				25
P01223 30				30
P01223 35				35
P01223 40				40
P01225 20	25	154.7	80.5	20
P01225 25				25
P01225 30				30
P01225 35				35
P01225 40				40
P01227 20	27	167.2	88.5	20
P01227 25				25
P01227 30				30
P01227 35				35
P01227 40				40
P01229 20	29	179.3	92.8	20
P01229 25				25
P01229 30				30
P01229 35				35
P01229 40				40

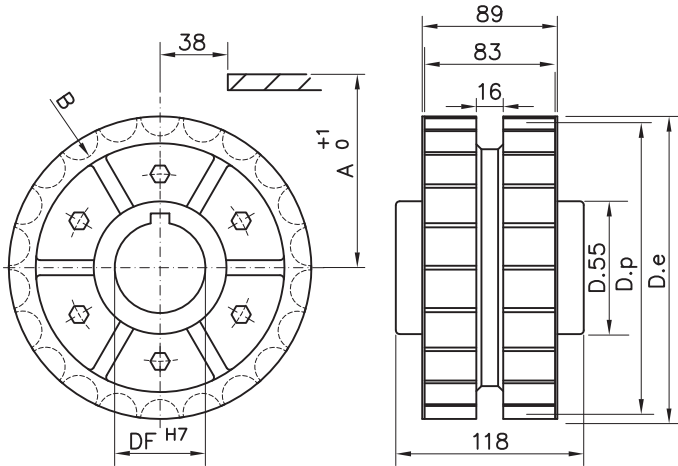


INJECTED SPROCKETS AND IDLER WHEELS
802/802G/804/805 Serie



Drive sprockets

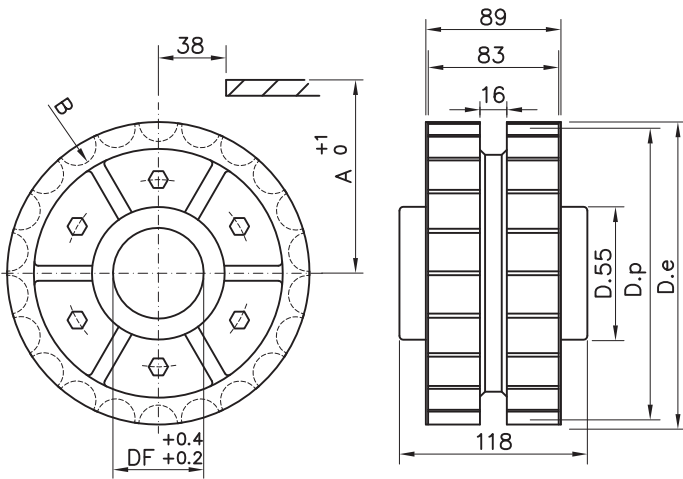
material: reinforced polyamide - screws in stainless steel
 UNI 6604-69 key seat



CODE	Z	De	Dp	A	B	Df
S00225 25	25	154.0	153.2	79.8	140.1	25
S00225 30						30
S00225 35						35
S00225 40						40

Standard idler wheels

material: polyamide - screws in stainless steel

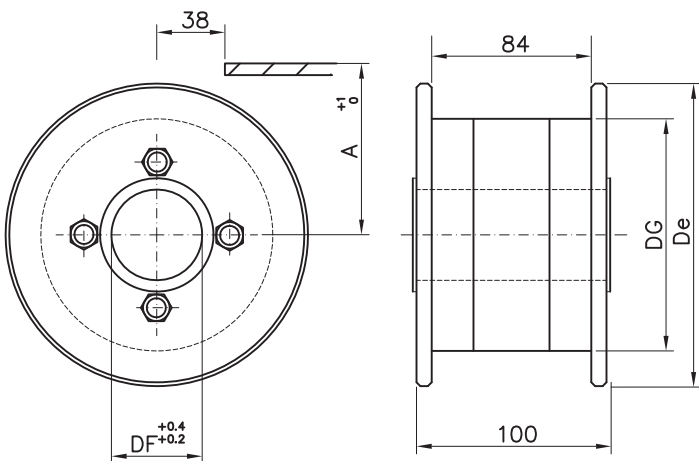


CODE	Z	De	Dp	A	B	Df
R00225 25	25	154.0	153.2	79.8	140.1	25
R00225 30						30
R00225 35						35
R00225 40						40

INJECTED IDLER WHEELS
802/802G/804/805 Series

Self-lubricating standard idler wheels

material: self-lubricating polyamide
 screws in zinc plated steel / colour: black



CODE	Z eq.	De	Dg	A	Df
K00219 25	19	118.0	80.0	62.6	25
K00219 30					30
K00219 35					35
K00219 40					40
K00221 25	21	129.8	80.0	68.6	25
K00221 30					30
K00221 35					35
K00221 40					40
K00223 25	23	142.5	108.0	74.6	25
K00223 30					30
K00223 35					35
K00223 40					40
K00225 25	25	155.0	108.0	80.5	25
K00225 30					30
K00225 35					35
K00225 40					40



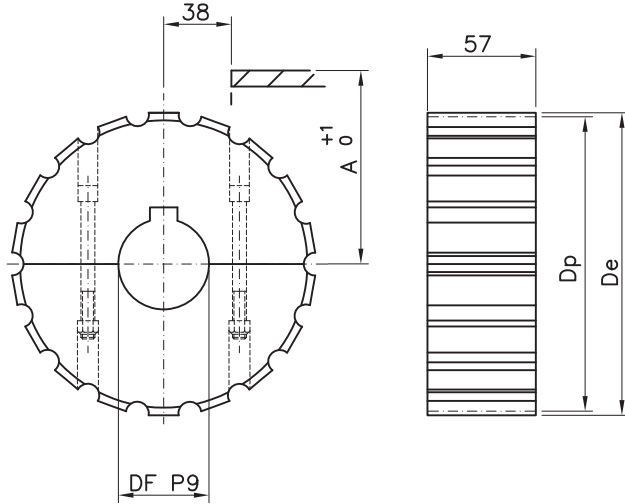
MACHINED SPROCKETS
8127/8817M-G Series

Split sprockets

material: polyamide - screws in stainless steel

UNI 6604-69 key seat

CODE	Z	De	Dp	A	Df
S11317 18	17	103.9	105.47	55.9	18*
S11317 25					25
S11317 30					30
S11317 35					35
S11317 40					40
S11319 18	19	117.0	117.34	61.9	18*
S11319 25					25
S11319 30					30
S11319 35					35
S11319 40					40
S11321 18	21	129.0	129.26	67.8	18*
S11321 25					25
S11321 30					30
S11321 35					35
S11321 40					40
S11323 18	23	142.0	141.21	73.8	18*
S11323 25					25
S11323 30					30
S11323 35					35
S11323 40					40
S11325 18	25	154.0	153.21	79.8	18*
S11325 25					25
S11325 30					30
S11325 35					35
S11325 40					40
S11327 18	27	166.8	165.2	85.8	18*
S11327 25					25
S11327 30					30
S11327 35					35
S11327 40					40
S11329 18	29	178.5	177.24	91.8	18*
S11329 25					25
S11329 30					30
S11329 35					35
S11329 40					40



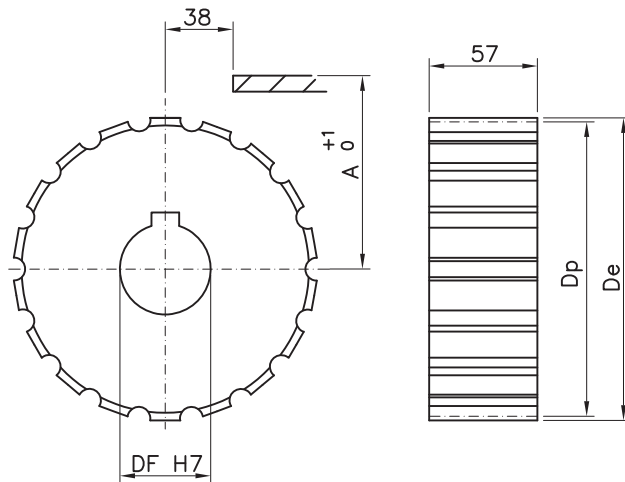
Standard sprockets

material: polyamide

UNI 6604-69 key seat

* plain bore

CODE	Z	De	Dp	A	Df
S01317 25	17	103.9	105.47	55.9	25
S01317 30					30
S01317 35					35
S01317 40					40
S01319 25					19
S01319 30	30				
S01319 35	35				
S01319 40	40				
S01321 25	21	129.0	129.26	67.8	
S01321 30					30
S01321 35					35
S01321 40					40
S01323 25					23
S01323 30	30				
S01323 35	35				
S01323 40	40				
S01325 25	25	154.0	153.21	79.8	
S01325 30					30
S01325 35					35
S01325 40					40
S01327 25					27
S01327 30	30				
S01327 35	35				
S01327 40	40				
S01329 25	29	178.5	177.24	91.8	
S01329 30					30
S01329 35					35
S01329 40					40

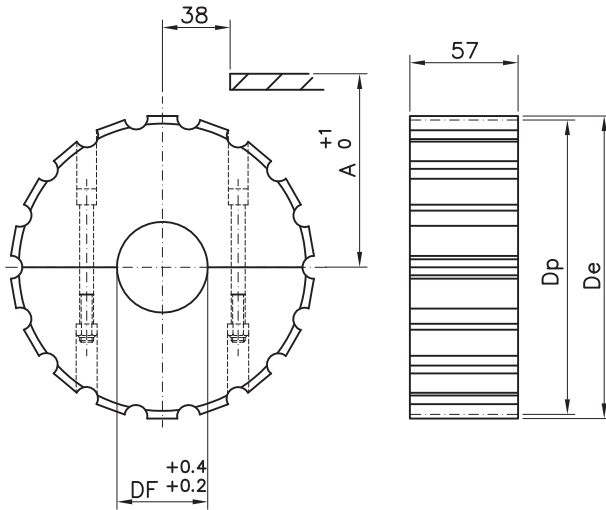


MACHINED IDLER WHEELS
8127/8817M-G Series



Split idler wheels

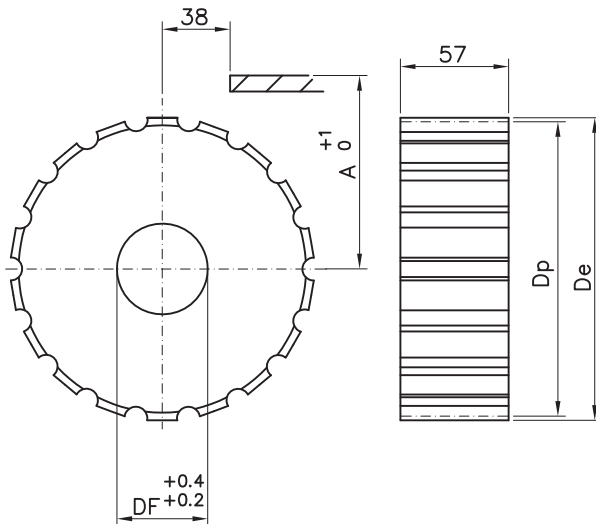
material: polyamide - screws in stainless steel



CODE	Z	De	Dp	A	Df
R11317 25	17	103.9	105.47	55.9	25
R11317 30					30
R11317 35					35
R11317 40					40
R11319 25	19	117.0	117.34	61.9	25
R11319 30					30
R11319 35					35
R11319 40					40
R11321 25	21	129.0	129.26	67.8	25
R11321 30					30
R11321 35					35
R11321 40					40
R11323 25	23	142.0	141.21	73.8	25
R11323 30					30
R11323 35					35
R11323 40					40
R11325 25	25	154.0	153.21	79.8	25
R11325 30					30
R11325 35					35
R11325 40					40
R11327 25	27	166.8	165.2	85.8	25
R11327 30					30
R11327 35					35
R11327 40					40
R11329 25	29	178.5	177.24	91.8	25
R11329 30					30
R11329 35					35
R11329 40					40

Standard idler wheels

material: polyamide



CODE	Z	De	Dp	A	Df
R01317 25	17	103.9	105.47	55.9	25
R01317 30					30
R01317 35					35
R01317 40					40
R01319 25	19	117.0	117.34	61.9	25
R01319 30					30
R01319 35					35
R01319 40					40
R01321 25	21	129.0	129.26	67.8	25
R01321 30					30
R01321 35					35
R01321 40					40
R01323 25	23	142.0	141.21	73.8	25
R01323 30					30
R01323 35					35
R01323 40					40
R01325 25	25	154.0	153.21	79.8	25
R01325 30					30
R01325 35					35
R01325 40					40
R01327 25	27	166.8	165.2	85.8	25
R01327 30					30
R01327 35					35
R01327 40					40
R01329 25	29	178.5	177.24	91.8	25
R01329 30					30
R01329 35					35
R01329 40					40

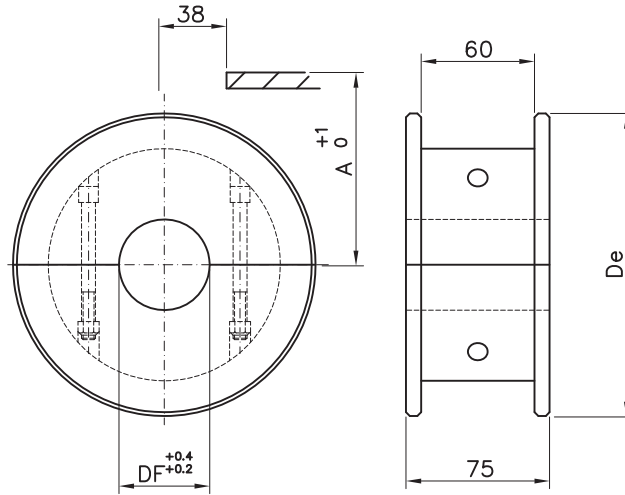


MACHINED IDLER WHEELS
8127/8817M-G Series

Split idler wheels

material: polyamide - screws in stainless steel

CODE	Z eq.	De	A	Df
P11417 20	17	104.0	56.2	20
P11417 25				25
P11417 30				30
P11417 35				35
P11417 40				40
P11419 20	19	117.0	62.6	20
P11419 25				25
P11419 30				30
P11419 35				35
P11419 40				40
P11421 20	21	129.8	68.6	20
P11421 25				25
P11421 30				30
P11421 35				35
P11421 40				40
P11423 20	23	142.2	74.6	20
P11423 25				25
P11423 30				30
P11423 35				35
P11423 40				40
P11425 20	25	154.7	80.5	20
P11425 25				25
P11425 30				30
P11425 35				35
P11425 40				40
P11427 20	27	167.2	88.5	20
P11427 25				25
P11427 30				30
P11427 35				35
P11427 40				40

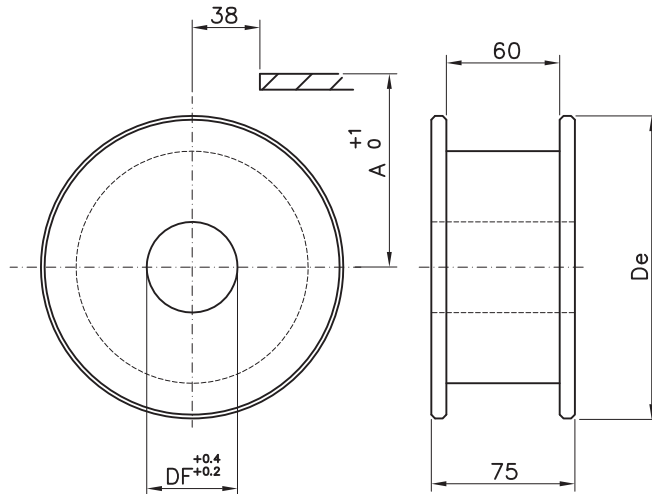


P11429 20	29	179.3	92.8	20
P11429 25				25
P11429 30				30
P11429 35				35
P11429 40				40

Standard idler wheels

material: polyamide

CODE	Z eq.	De	A	Df
P01417 20	17	104.0	56.2	20
P01417 25				25
P01417 30				30
P01417 35				35
P01417 40				40
P01419 20	19	117.0	62.6	20
P01419 25				25
P01419 30				30
P01419 35				35
P01419 40				40
P01421 20	21	129.8	68.6	20
P01421 25				25
P01421 30				30
P01421 35				35
P01421 40				40
P01423 20	23	142.2	74.6	20
P01423 25				25
P01423 30				30
P01423 35				35
P01423 40				40
P01425 20	25	154.7	80.5	20
P01425 25				25
P01425 30				30
P01425 35				35
P01425 40				40
P01427 20	27	167.2	88.5	20
P01427 25				25
P01427 30				30
P01427 35				35
P01427 40				40



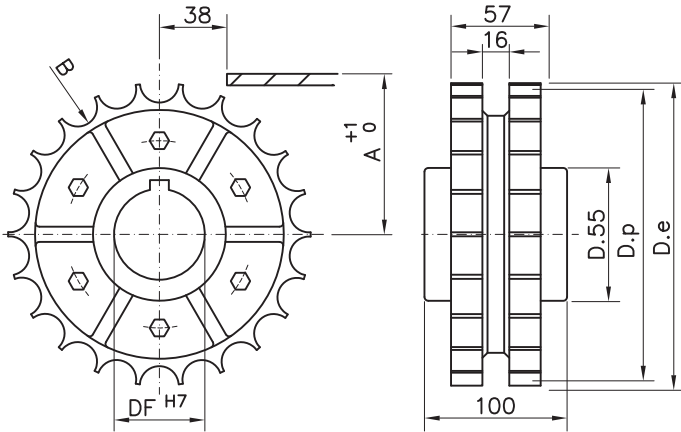
P01429 20	29	179.3	92.8	20
P01429 25				25
P01429 30				30
P01429 35				35
P01429 40				40

INJECTED SPROCKETS AND IDLER WHEELS
8127/8817M-G Series



Drive sprockets

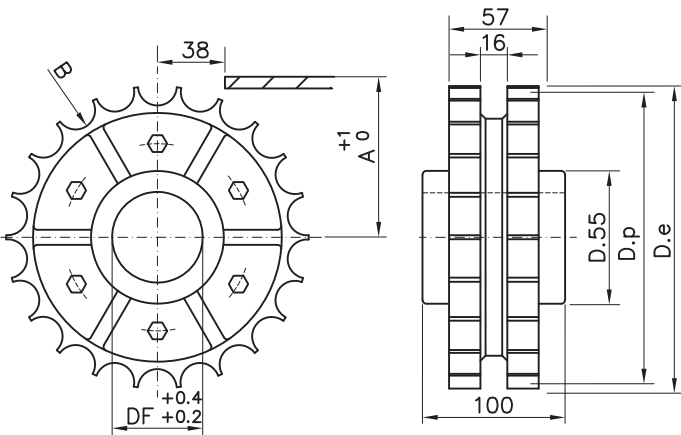
material: reinforced polyamide - screws in stainless steel



CODE	Z	De	Dp	A	B	Df
S00325 25	25	154.0	153.2	79.8	140.1	25
S00325 30						30
S00325 35						35
S00325 40						40

Standard idler wheels

material: polyamide - screws in stainless steel

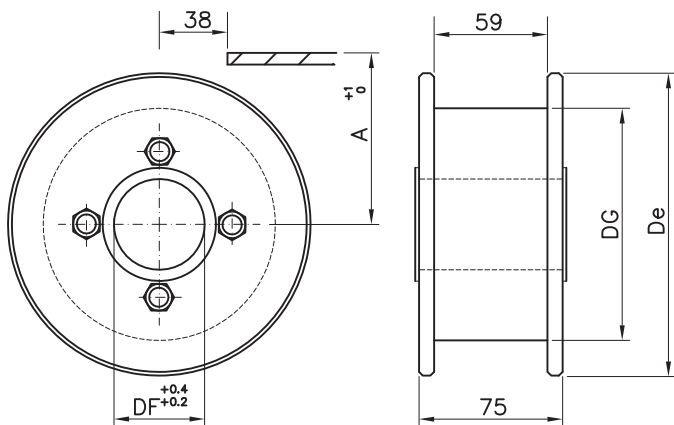


CODE	Z	De	Dp	A	B	Df
R00325 25	25	154.0	153.2	79.8	140.1	25
R00325 30						30
R00325 35						35
R00325 40						40

INJECTED IDLER WHEELS
8127/8817M-G Series

Self-lubricating idler wheels

material: self-lubricating polyamide
screws in zinc plated steel / colour: black



CODE	Z eq.	De	Dg	A	Df
K00419 25	19	118.0	80.0	62.6	25
K00419 30					30
K00419 35					35
K00419 40					40
K00421 25	21	129.8	80.0	68.6	25
K00421 30					30
K00421 35					35
K00421 40					40
K00423 25	23	142.5	108.0	74.6	25
K00423 30					30
K00423 35					35
K00423 40					40
K00425 25	25	155.0	108.0	80.5	25
K00425 30					30
K00425 35					35
K00425 40					40

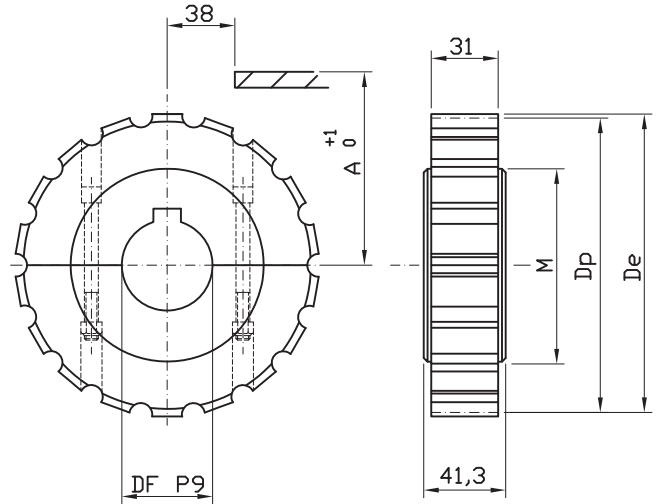


Self-lubricating idler wheels

material: polyamide - screws stainless steel

UNI 6604-69 key seat

CODE	Z	De	Dp	A	M	Df
S11417 18	17	103.9	105.47	55.9	60	18*
S11417 25						25
S11417 30						30
S11417 35						35
S11417 40						40
S11419 18	19	117.0	117.34	61.9	70	18*
S11419 25						25
S11419 30						30
S11419 35						35
S11419 40						40
S11421 18	21	129.0	129.26	67.8	75	18*
S11421 25						25
S11421 30						30
S11421 35						35
S11421 40						40
S11423 18	23	142.0	141.21	73.8	80	18*
S11423 25						25
S11423 30						30
S11423 35						35
S11423 40						40
S11425 18	25	154.0	153.21	79.8	90	18*
S11425 25						25
S11425 30						30
S11425 35						35
S11425 40						40
S11427 18	27	166.8	165.2	85.8	100	18*
S11427 25						25
S11427 30						30
S11427 35						35
S11427 40						40
S11429 18	29	178.5	177.24	91.8	110	18*
S11429 25						25
S11429 30						30
S11429 35						35
S11429 40						40



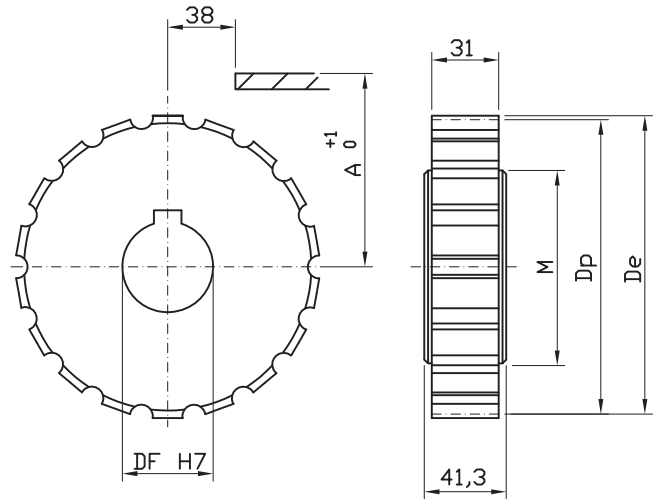
Standard sprockets

material: polyamide - screws in stainless steel

UNI 6604-69 key seat

* plain bore

CODICE	Z	De	Dp	A	M	Df
S01417 25	17	103.9	105.47	55.9	60	25
S01417 30						30
S01417 35						35
S01417 40						40
S01419 25						19
S01419 30	30					
S01419 35	35					
S01419 40	40					
S01421 25	21	129.0	129.26	67.8	75	
S01421 30						30
S01421 35						35
S01421 40						40
S01423 25						23
S01423 30	30					
S01423 35	35					
S01423 40	40					
S01425 25	25	154.0	153.21	79.8	90	
S01425 30						30
S01425 35						35
S01425 40						40
S01427 25						27
S01427 30	30					
S01427 35	35					
S01427 40	40					
S01429 25	29	178.5	177.24	91.8	110	
S01429 30						30
S01429 35						35
S01429 40						40



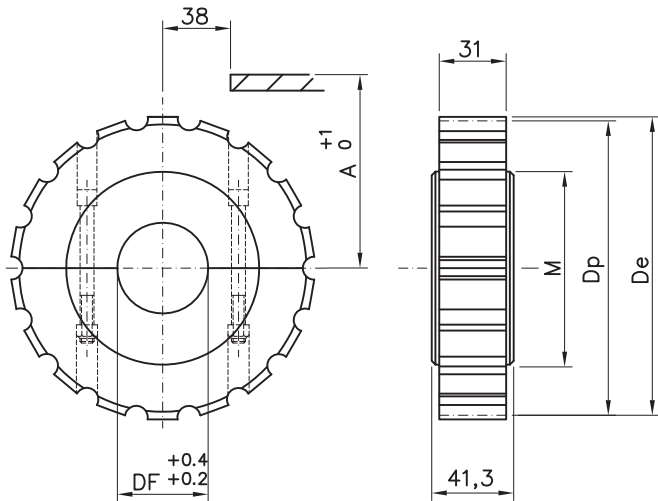
MACHINED IDLER WHEELS

881/8811/881TAB/8811TAB/881R-TAB/815TAB-G/881G/881TAB-G Series



Split idler wheels

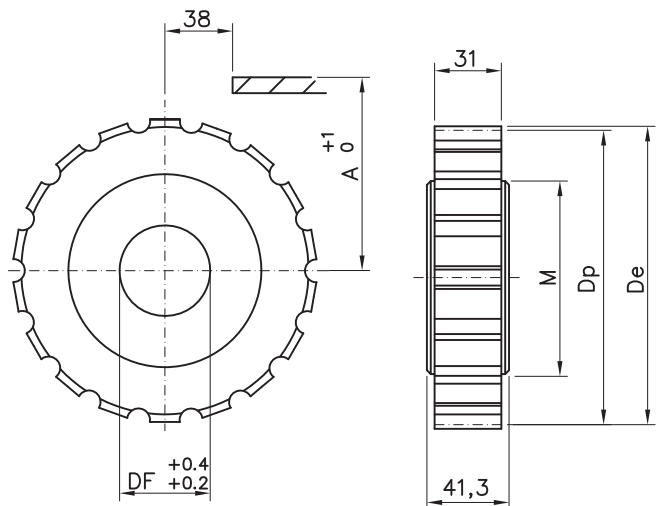
material: polyamide - screws in stainless steel



CODE	Z	De	Dp	A	M	Df
R11417 25	17	103.9	105.47	55.9	60.0	25
R11417 30						30
R11417 35						35
R11417 40						40
R11419 25	19	117.0	117.34	61.9	70.0	25
R11419 30						30
R11419 35						35
R11419 40						40
R11421 25	21	129.0	129.26	67.8	75.0	25
R11421 30						30
R11421 35						35
R11421 40						40
R11423 25	23	142.0	141.21	73.8	80.0	25
R11423 30						30
R11423 35						35
R11423 40						40
R11425 25	25	154.0	153.21	79.8	90.0	25
R11425 30						30
R11425 35						35
R11425 40						40
R11427 25	27	166.8	165.2	85.8	100.0	25
R11427 30						30
R11427 35						35
R11427 40						40
R11429 25	29	178.5	177.24	91.8	110.0	25
R11429 30						30
R11429 35						35
R11429 40						40

Standard idler wheels

material: polyamide



CODE	Z	De	Dp	A	M	Df
R01417 25	17	104.7	105.48	55.9	60.0	25
R01417 30						30
R01417 35						35
R01417 40						40
R01419 25	19	117.0	117.34	61.9	70.0	25
R01419 30						30
R01419 35						35
R01419 40						40
R01421 25	21	129.0	129.26	67.8	75.0	25
R01421 30						30
R01421 35						35
R01421 40						40
R01423 25	23	142.0	141.21	73.8	80.0	25
R01423 30						30
R01423 35						35
R01423 40						40
R01425 25	25	154.0	153.21	79.8	90.0	25
R01425 30						30
R01425 35						35
R01425 40						40
R01427 25	27	166.8	165.2	85.8	100.0	25
R01427 30						30
R01427 35						35
R01427 40						40
R01429 25	29	178.5	177.24	91.8	110.0	25
R01429 30						30
R01429 35						35
R01429 40						40



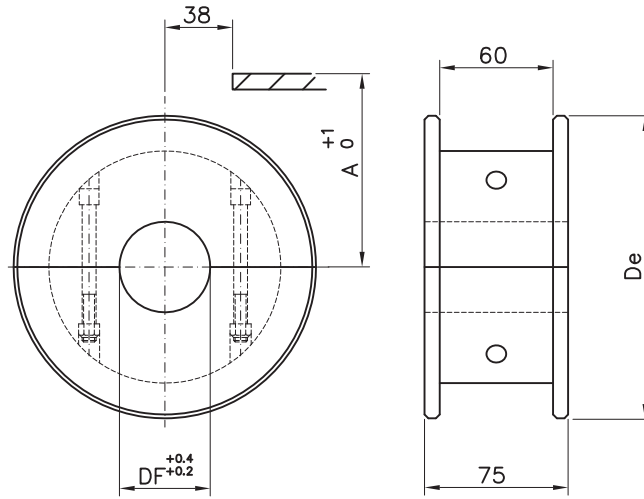
MACHINED IDLER WHEELS

881TAB/8811TAB/881R-TAB/815TAB-G/881TAB-G Series

Split idler wheels

material: polyamide - screws in stainless steel

CODE	Z	De	A	Df
P11417 20	17	104.0	56.2	20
P11417 25				25
P11417 30				30
P11417 35				35
P11417 40				40
P11419 20	19	117.0	62.6	20
P11419 25				25
P11419 30				30
P11419 35				35
P11419 40				40
P11421 20	21	129.8	68.6	20
P11421 25				25
P11421 30				30
P11421 35				35
P11421 40				40
P11423 20	23	142.2	74.6	20
P11423 25				25
P11423 30				30
P11423 35				35
P11423 40				40
P11425 20	25	154.7	80.5	20
P11425 25				25
P11425 30				30
P11425 35				35
P11425 40				40
P11427 20	27	167.2	88.5	20
P11427 25				25
P11427 30				30
P11427 35				35
P11427 40				40

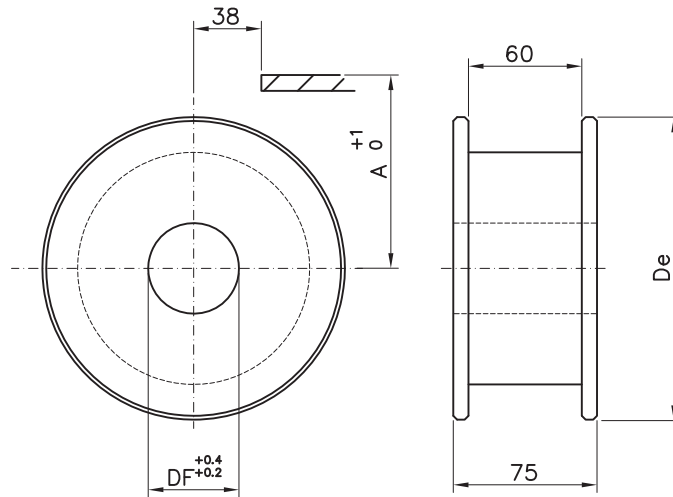


P11429 20	29	179.3	92.8	20
P11429 25				25
P11429 30				30
P11429 35				35
P11429 40				40

Standard idler wheels

material: polyamide

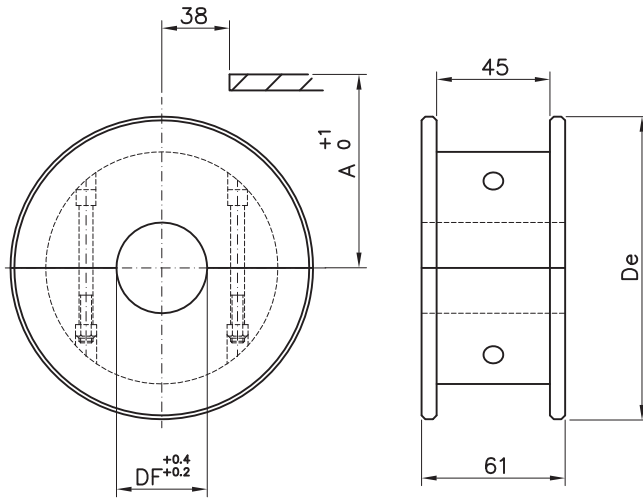
CODE	Z	De	A	Df
P01417 20	17	104.0	56.2	20
P01417 25				25
P01417 30				30
P01417 35				35
P01417 40				40
P01419 20	19	117.0	62.6	20
P01419 25				25
P01419 30				30
P01419 35				35
P01419 40				40
P01421 20	21	129.8	68.6	20
P01421 25				25
P01421 30				30
P01421 35				35
P01421 40				40
P01423 20	23	142.2	74.6	20
P01423 25				25
P01423 30				30
P01423 35				35
P01423 40				40
P01425 20	25	154.7	80.5	20
P01425 25				25
P01425 30				30
P01425 35				35
P01425 40				40
P01427 20	27	167.2	88.5	20
P01427 25				25
P01427 30				30
P01427 35				35
P01427 40				40



P01429 20	29	179.3	92.8	20
P01429 25				25
P01429 30				30
P01429 35				35
P01429 40				40



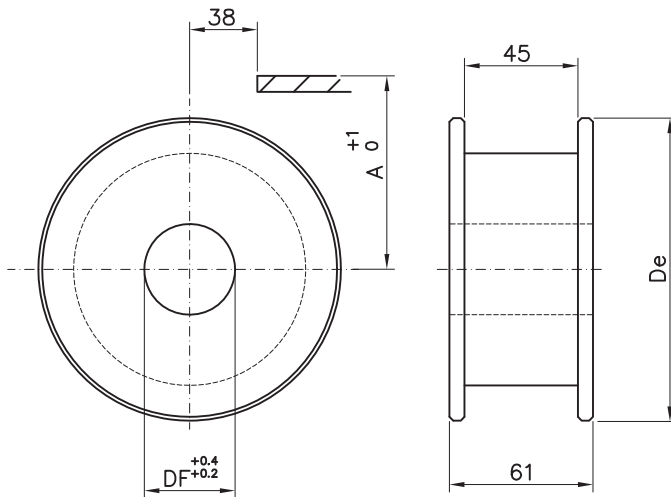
Split idler wheels
 material: polyamide - screws in stainless steel



P11629 20	29	179.3	92.8	20
P11629 25				25
P11629 30				30
P11629 35				35
P11629 40				40

CODE	Z	De	A	Df
P11617 20	17	104.0	56.2	20
P11617 25				25
P11617 30				30
P11617 35				35
P11617 40				40
P11619 20	19	117.0	62.6	20
P11619 25				25
P11619 30				30
P11619 35				35
P11619 40				40
P11621 20	21	129.8	68.6	20
P11621 25				25
P11621 30				30
P11621 35				35
P11621 40				40
P11623 20	23	142.2	74.6	20
P11623 25				25
P11623 30				30
P11623 35				35
P11623 40				40
P11625 20	25	154.7	80.5	20
P11625 25				25
P11625 30				30
P11625 35				35
P11625 40				40
P11627 20	27	167.2	88.5	20
P11627 25				25
P11627 30				30
P11627 35				35
P11627 40				40

Standard idler wheels
 material: polyamide



P01629 20	29	179.3	92.8	20
P01629 25				25
P01629 30				30
P01629 35				35
P01629 40				40

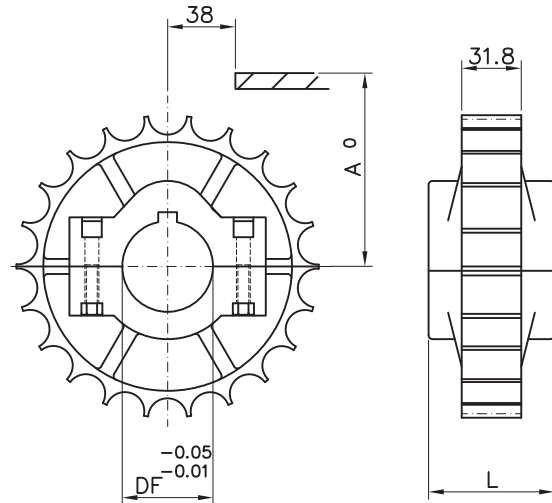
CODE	Z	De	A	Df
P01617 20	17	104.0	56.2	20
P01617 25				25
P01617 30				30
P01617 35				35
P01617 40				40
P01619 20	19	117.0	62.6	20
P01619 25				25
P01619 30				30
P01619 35				35
P01619 40				40
P01621 20	21	129.8	68.6	20
P01621 25				25
P01621 30				30
P01621 35				35
P01621 40				40
P01623 20	23	142.2	74.6	20
P01623 25				25
P01623 30				30
P01623 35				35
P01623 40				40
P01625 20	25	154.7	80.5	20
P01625 25				25
P01625 30				30
P01625 35				35
P01625 40				40
P01627 20	27	167.2	88.5	20
P01627 25				25
P01627 30				30
P01627 35				35
P01627 40				40



INJECTED SPROCKETS
881/8811/881TAB/8811TAB Series

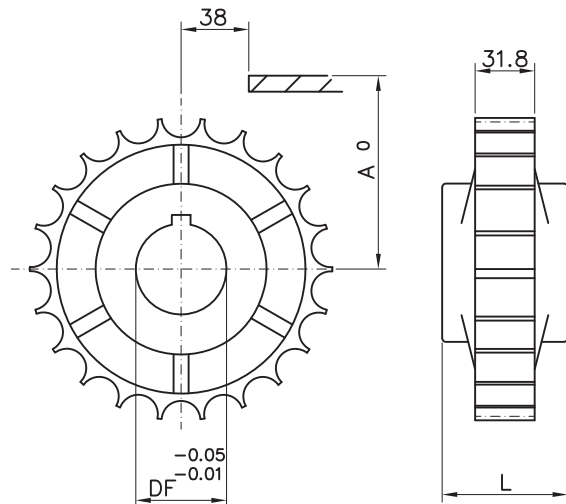
Split sprockets
 material: reinforced polyamide - screws in stainless steel,
 nuts in nickel plated brass / UNI 6604-69 key seat

CODE	Z	De	A	B	L	Df
S10421 25	21	129.0	67.8	116.1	51.0	25
S10421 30						30
S10421 35						35
S10421 40						40
S10421 45						45
S10423 25	23	142.0	73.8	128.1	51.0	25
S10423 30						30
S10423 35						35
S10423 40						40
S10423 45						45
S10425 25	25	154.0	79.8	140.1	58.5	25
S10425 30						30
S10425 35						35
S10425 40						40
S10425 45						45



Standard sprockets
 material: polyamide
 UNI 6604-69 key seat

CODE	Z	De	Dp	A	L	Df
S00421 25	21	129.0	129.26	67.8	51.0	25
S00421 30						30
S00421 35						35
S00421 40						40
S00425 25	25	154.0	153.2	79.8	58.5	25
S00425 30						30
S00425 35						35
S00425 40						40



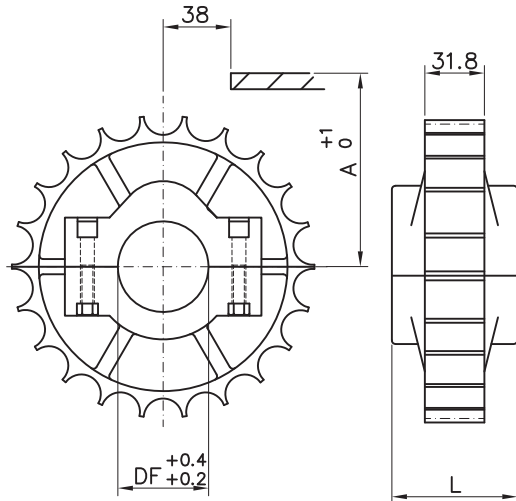
INJECTED IDLER WHEELS

881/8811/881TAB/881R-TAB/815TAB-G/881G/881TAB Series



Split idler wheels

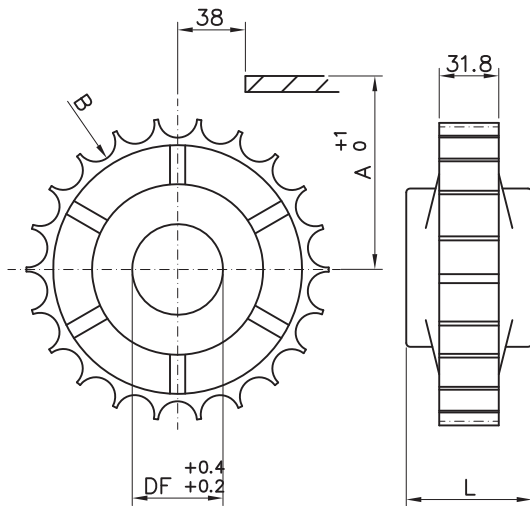
material: polyamide - screws in stainless steel,
nuts in nickel plated brass / colour: black



CODE	Z	De	A	B	L	Df
R10421 25	21	129.0	67.8	116.1	51.0	25
R10421 30						30
R10421 35						35
R10421 40						40
R10421 45						45
R10423 25	23	142.0	73.8	128.1	51.0	25
R10423 30						30
R10423 35						35
R10423 40						40
R10423 45						45
R10425 25	25	154.0	79.8	140.1	58.5	25
R10425 30						30
R10425 35						35
R10425 40						40
R10425 45						45

Standard idler wheels

material: polyamide
colour: black



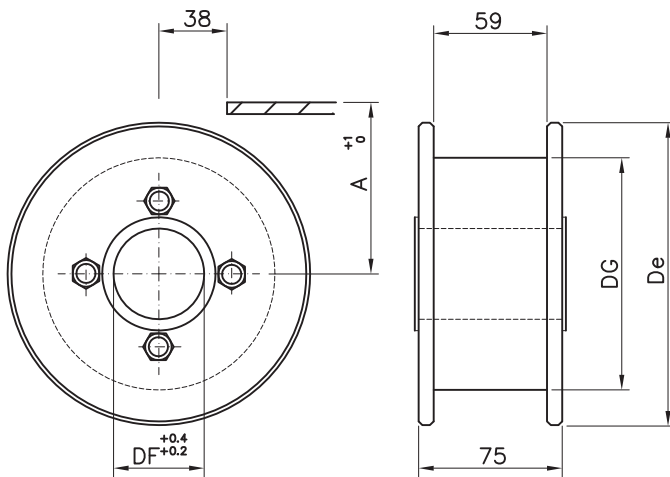
CODE	Z	De	Dp	A	L	Df
R00421 25	21	129.0	129.26	67.8	51.0	25
R00421 30						30
R00421 35						35
R00421 40						40
R00421 45						45
R00425 25	25	154.0	153.2	79.8	58.5	25
R00425 30						30
R00425 35						35
R00425 40						40
R00425 45						45

INJECTED IDLER WHEELS

881TAB/8811TAB/881R-TAB/815TAB-G/881TAB-G Series

Self-lubricating idler wheels

material: self-lubricating polyamide
screws in zinc plated steel / colour: black



CODE	Z eq.	De	Dg	A	Df
K00419 25	19	118.0	80.0	62.6	25
K00419 30					30
K00419 35					35
K00419 40					40
K00419 45					45
K00421 25	21	129.8	80.0	68.6	25
K00421 30					30
K00421 35					35
K00421 40					40
K00421 45					45
K00423 25	23	142.5	108.0	74.6	25
K00423 30					30
K00423 35					35
K00423 40					40
K00423 45					45
K00425 25	25	155.0	108.0	80.5	25
K00425 30					30
K00425 35					35
K00425 40					40
K00425 45					45

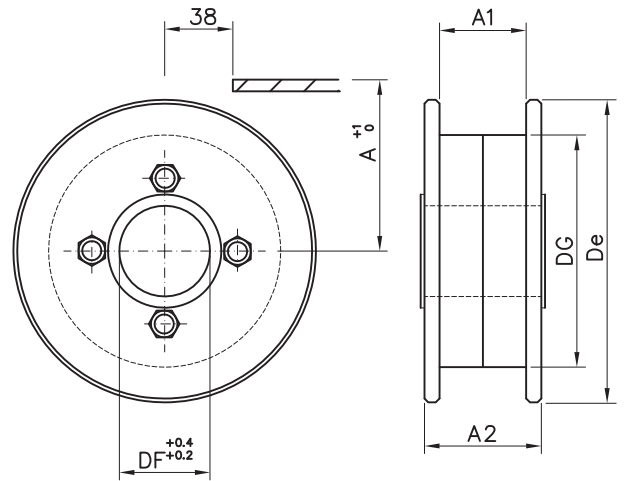


INJECTED IDLER WHEELS 881/8811/881G Series

Self-lubricating idler wheels

material: self-lubricating polyamide - screws in zinc plated steel / colour: black

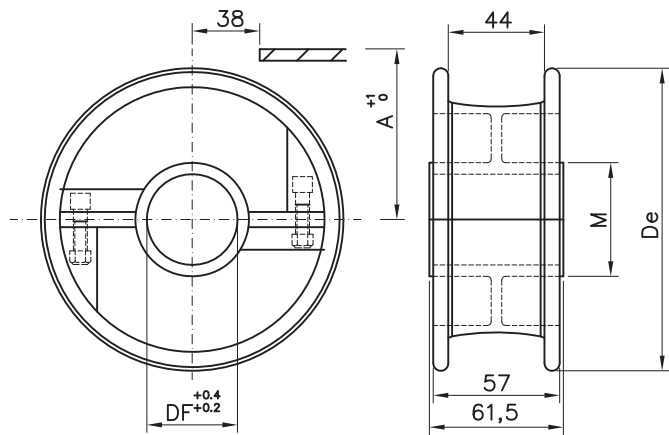
CODE	Z eq.	De	Dg	A	A1	A2	Df
K00615 30	15	90.0	58.0	48.2	48.0	83.0	30
K00615 35							35
K00615 40							40
K00615 45							45
K00617 25	17	106.0	71.0	56.2	44.0	52.0	25
K00617 30							30
K00619 25	19	118.0	80.0	62.6	44.0	60.0	25
K00619 30							30
K00619 35							35
K00619 40							40
K00621 25	21	129.8	80.0	68.6	44.0	60.0	25
K00621 30							30
K00621 35							35
K00621 40							40
K00623 25	23	142.5	108.0	74.6	44.0	60.0	25
K00623 30							30
K00623 35							35
K00623 40							40
K00625 25	25	155.0	108.0	80.5	44.0	60.0	25
K00625 30							30
K00625 35							35
K00625 40							40



Split idler wheels

material: self-lubricating polyamide / colour: black

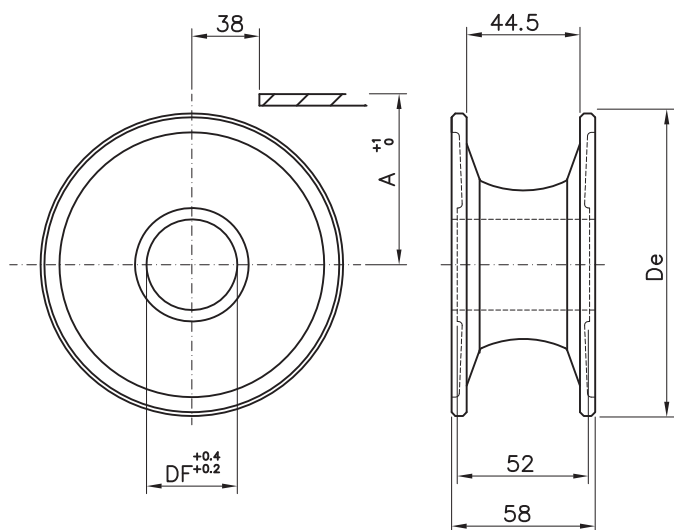
CODE	Z eq.	De	A	Df
P10621 25	21	129.8	48.2	25
P10621 30				30
P10621 35				35
P10621 40				40
P10623 25	23	142.5	74.6	25
P10623 30				30
P10623 35				35
P10623 40				40
P10625 25	25	154.5	80.5	25
P10625 30				30
P10625 35				35
P10625 40				40



Standard idler wheels

material: self-lubricating polyamide
colour: black

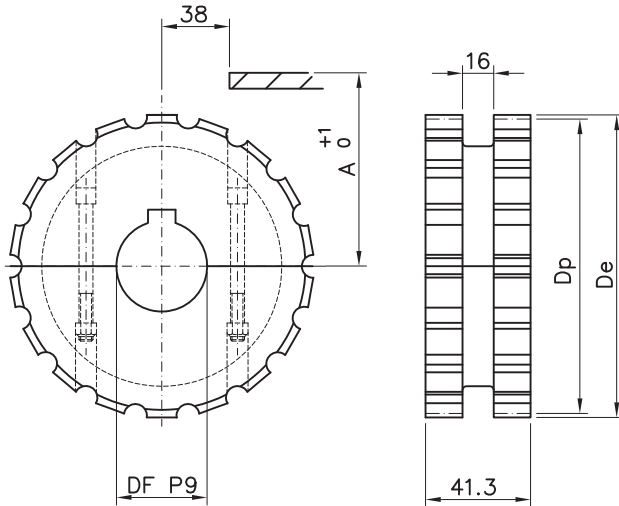
CODE	Z eq.	De	A	Df
P00615 25	15	95.5	92.0	25
P00615 30				30
P00617 25	17	106.5	57.0	25
P00617 30				30
P00618 25	18	113.0	92.0	25
P00618 30				30
P00619 20	19	117.0	62.6	20
P00619 25				25
P00619 30				30
P00619 35				35
P00619 40	40			
P00621 20	21	129.8	68.6	20
P00621 25				25
P00621 30				30
P00621 35				35
P00621 40	40			
P00623 20	23	142.2	74.6	20
P00623 25				25
P00623 30				30
P00623 35				35
P00623 40	40			
P00625 20	25	154.7	80.5	20
P00625 25				25
P00625 30				30
P00625 35				35
P00625 40				40





Split sprockets

material: polyamide - screws in stainless steel
 UNI 6604-69 key seat

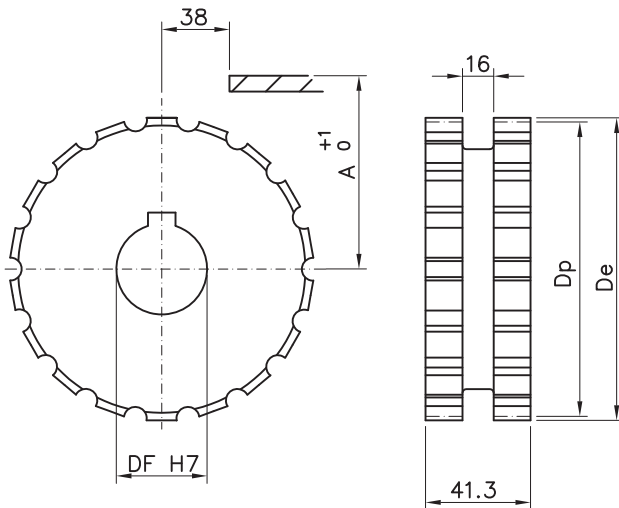


CODE	Z	De	Dp	A	Df
S11617 18	17	103.9	105.47	55.9	18*
S11617 25					25
S11617 30					30
S11617 35					35
S11617 40					40
S11619 18	19	117.0	117.34	61.9	18*
S11619 25					25
S11619 30					30
S11619 35					35
S11619 40					40
S11621 18	21	129.0	129.26	67.8	18*
S11621 25					25
S11621 30					30
S11621 35					35
S11621 40					40
S11623 18	23	142.0	141.21	73.8	18*
S11623 25					25
S11623 30					30
S11623 35					35
S11623 40					40
S11625 18	25	154.0	153.21	79.8	18*
S11625 25					25
S11625 30					30
S11625 35					35
S11625 40					40
S11627 18	27	166.8	165.2	85.8	18*
S11627 25					25
S11627 30					30
S11627 35					35
S11627 40					40
S11629 18	29	178.5	177.24	91.8	18*
S11629 25					25
S11629 30					30
S11629 35					35
S11629 40					40

Standard sprockets

material: polyamide
 UNI 6604-69 key seat

* plain bore



CODE	Z	De	Dp	A	Df
S01617 25	17	103.9	105.47	55.9	25
S01617 30					30
S01617 35					35
S01617 40					40
S01619 25	19	117.0	117.34	61.9	25
S01619 30					30
S01619 35					35
S01619 40					40
S01621 25	21	129.0	129.26	67.8	25
S01621 30					30
S01621 35					35
S01621 40					40
S01623 25	23	142.0	141.21	73.8	25
S01623 30					30
S01623 35					35
S01623 40					40
S01625 25	25	154.0	153.21	79.8	25
S01625 30					30
S01625 35					35
S01625 40					40
S01627 25	27	166.8	165.2	85.8	25
S01627 30					30
S01627 35					35
S01627 40					40
S01629 25	29	178.5	177.24	91.8	25
S01629 30					30
S01629 35					35
S01629 40					40

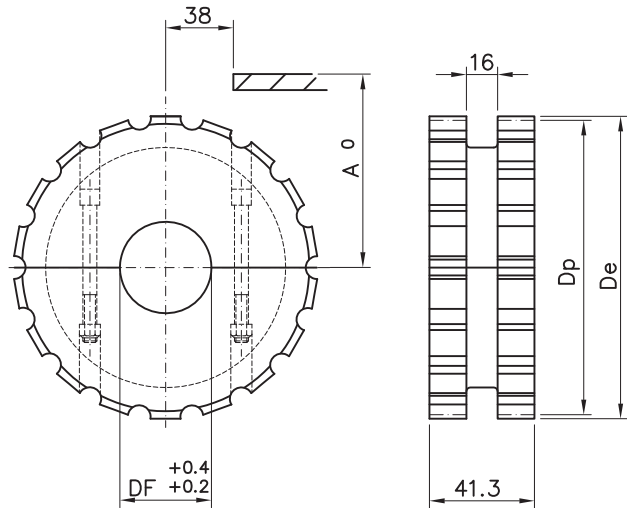


MACHINED IDLER WHEELS
820/831/831LBP/831G Series

Split idler wheels

material: polyamide - screws in stainless steel

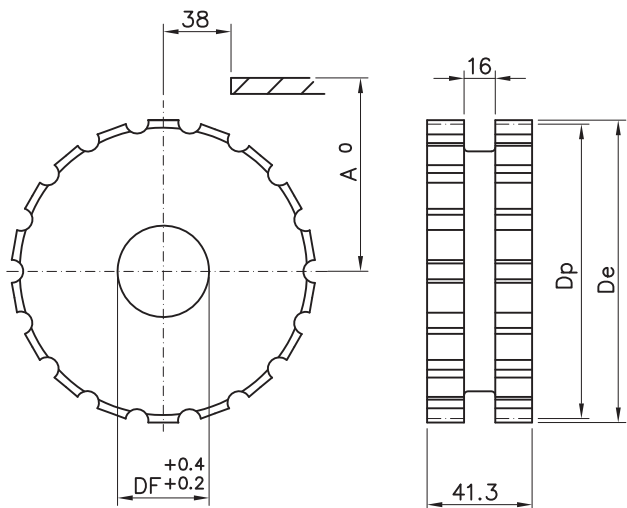
CODE	Z	De	Dp	A	Df
R11617 25	17	103.9	105.47	55.9	25
R11617 30					30
R11617 35					35
R11617 40					40
R11619 25	19	117.0	117.34	61.9	25
R11619 30					30
R11619 35					35
R11619 40					40
R11621 25	21	129.0	129.26	67.8	25
R11621 30					30
R11621 35					35
R11621 40					40
R11623 25	23	142.0	141.21	73.8	25
R11623 30					30
R11623 35					35
R11623 40					40
R11625 25	25	154.0	153.21	79.8	25
R11625 30					30
R11625 35					35
R11625 40					40
R11627 25	27	166.8	165.2	85.8	25
R11627 30					30
R11627 35					35
R11627 40					40
R11629 25	29	178.5	177.24	91.8	25
R11629 30					30
R11629 35					35
R11629 40					40



Standard idler wheels

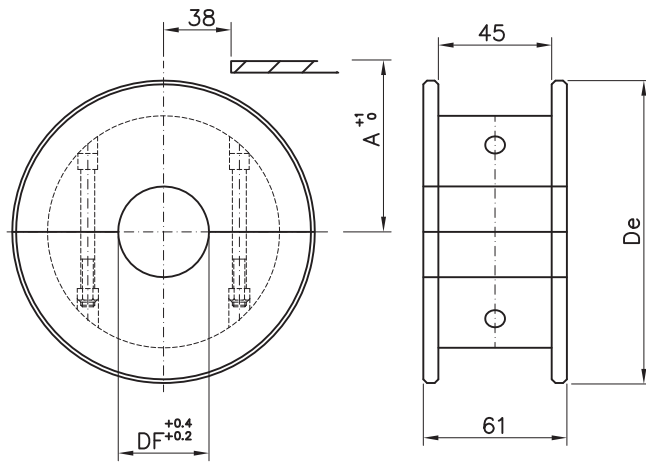
material: polyamide

CODE	Z	De	Dp	A	Df
R01617 25	17	103.9	105.47	55.9	25
R01617 30					30
R01617 35					35
R01617 40					40
R01619 25	19	117.0	117.34	61.9	25
R01619 30					30
R01619 35					35
R01619 40					40
R01621 25	21	129.0	129.26	67.8	25
R01621 30					30
R01621 35					35
R01621 40					40
R01623 25	23	142.0	141.21	73.8	25
R01623 30					30
R01623 35					35
R01623 40					40
R01625 25	25	154.0	153.21	79.8	25
R01625 30					30
R01625 35					35
R01625 40					40
R01627 25	27	166.8	165.2	85.8	25
R01627 30					30
R01627 35					35
R01627 40					40
R01629 25	29	178.5	177.24	91.8	25
R01629 30					30
R01629 35					35
R01629 40					40





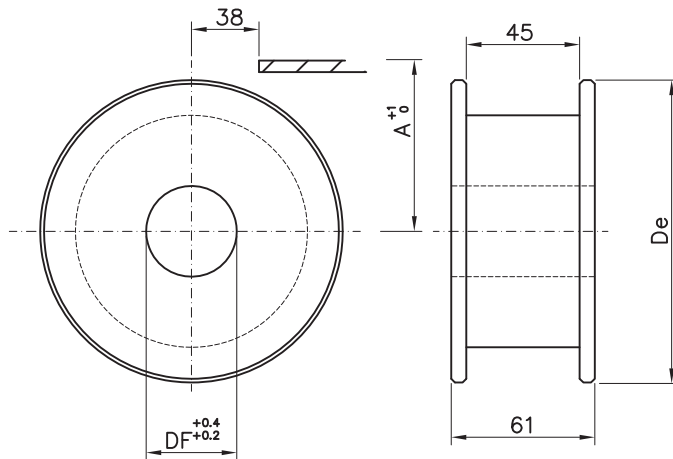
Split idler wheels
material: polyamide - screws in stainless steel



P11629 20	29	179.3	92.8	20
P11629 25				25
P11629 30				30
P11629 35				35
P11629 40				40

CODE	Z	De	A	Df
P11617 20	17	104.0	56.2	20
P11617 25				25
P11617 30				30
P11617 35				35
P11617 40				40
P11619 20	19	117.0	62.6	20
P11619 25				25
P11619 30				30
P11619 35				35
P11619 40				40
P11621 20	21	129.8	68.6	20
P11621 25				25
P11621 30				30
P11621 35				35
P11621 40				40
P11423 20	23	142.2	74.6	20
P11623 25				25
P11623 30				30
P11623 35				35
P11623 40				40
P11625 20	25	154.7	80.5	20
P11625 25				25
P11625 30				30
P11625 35				35
P11625 40				40
P11627 20	27	167.2	88.5	20
P11627 25				25
P11627 30				30
P11627 35				35
P11627 40				40

Standard idler wheels
material: polyamide



P01629 20	29	179.3	92.8	20
P01629 25				25
P01629 30				30
P01629 35				35
P01629 40				40

CODE	Z	De	A	Df
P01617 20	17	104.0	56.2	20
P01617 25				25
P01617 30				30
P01617 35				35
P01617 40				40
P01619 20	19	117.0	62.6	20
P01619 25				25
P01619 30				30
P01619 35				35
P01619 40				40
P01621 20	21	129.8	68.6	20
P01621 25				25
P01621 30				30
P01621 35				35
P01621 40				40
P01623 20	23	142.2	74.6	20
P01623 25				25
P01623 30				30
P01623 35				35
P01623 40				40
P01625 20	25	154.7	80.5	20
P01625 25				25
P01625 30				30
P01625 35				35
P01625 40				40
P01627 20	27	167.2	88.5	20
P01627 25				25
P01627 30				30
P01627 35				35
P01627 40				40



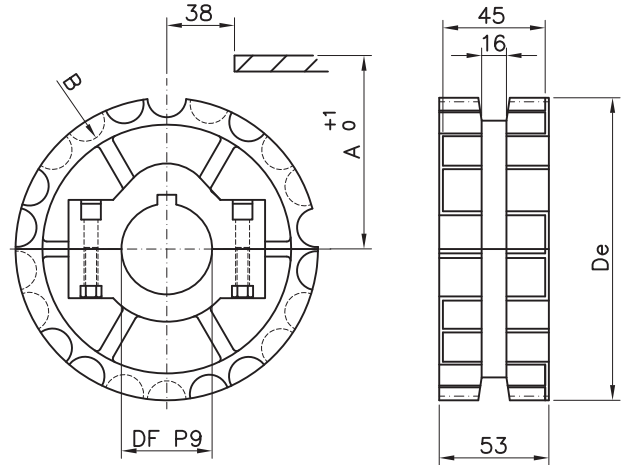
INJECTED SPROCKETS AND IDLER WHEELS

820 Series

Split sprockets

material: reinforced polyamide - screws in stainless steel,
nuts in nickel plated steel / UNI 6604-69 key seat

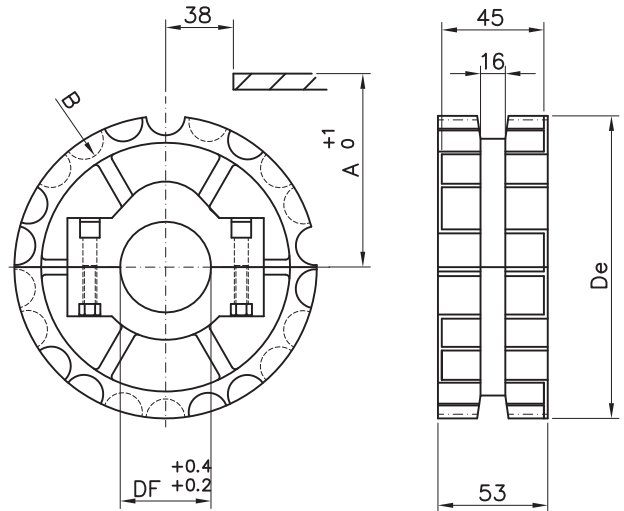
CODE	Z	De	B	A	Df
S10621 25	21	129.0	116.1	67.8	25
S10621 30					30
S10621 35					35
S10621 40					40
S10621 45					45
S10623 25	23	142.0	128.1	73.8	25
S10623 30					30
S10623 35					35
S10623 40					40
S10623 45					45
S10625 25	25	154.0	140.1	79.8	25
S10625 30					30
S10625 35					35
S10625 40					40
S10625 45					45



Split idler wheels

material: polyamide - screws in stainless steel,
nuts in nickel plated steel

CODE	Z	De	B	A	Df
R10621 25	21	129.0	116.1	67.8	25
R10621 30					30
R10621 35					35
R10621 40					40
R10621 45					45
R10623 25	23	142.0	128.1	73.8	25
R10623 30					30
R10623 35					35
R10623 40					40
R10623 45					45
R10625 25	25	154.0	140.1	79.8	25
R10625 30					30
R10625 35					35
R10625 40					40
R10625 45					45



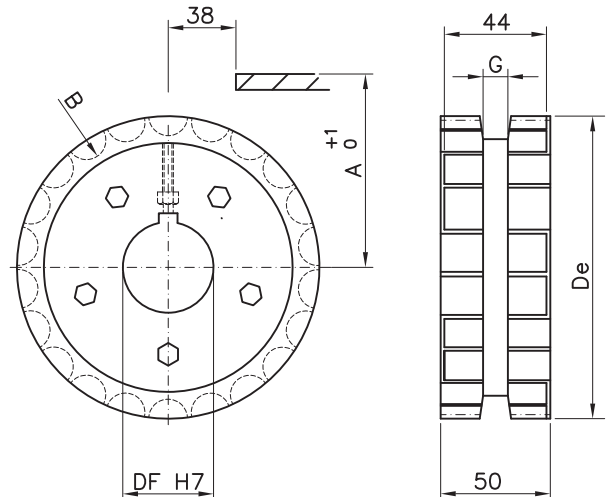
INJECTED SPROCKETS

820 Series

Standard sprockets

material: reinforced polyamide - screws in stainless steel
UNI 6604-69 key seat

CODE	Z	De	Dp	A	B	G	Df
S00615 25	15	92.2	93.67	-	-	-	25
S00615 30							30
S00617 25	17	103.9	105.47	56.0	92.3	13.0	25
S00617 30							30
S00619 25	19	117.0	117.34	62.0	104.2	16.0	25
S00619 30							30
S00619 35							35
S00619 40							40
S00621 25	21	129.0	129.26	68.0	116.1	16.0	25
S00621 30							30
S00621 35							35
S00621 40							40
S00623 25	23	142.0	141.21	74.0	128.1	16.0	25
S00623 30							30
S00623 35							35
S00623 40							40
S00625 25	25	154.0	153.21	80.0	140.1	16.0	25
S00625 30							30
S00625 35							35
S00625 40							40

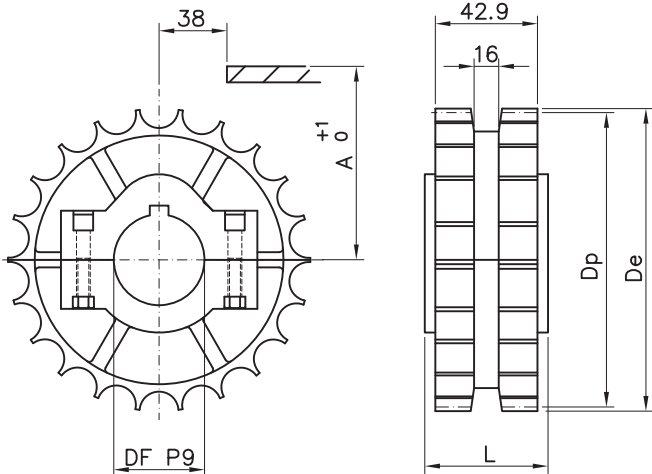


INJECTED SPROCKETS 831 Series



Split sprockets

material: reinforced polyamide - screws in stainless steel,
nuts in nickel plated steel / UNI 6604-69 key seat

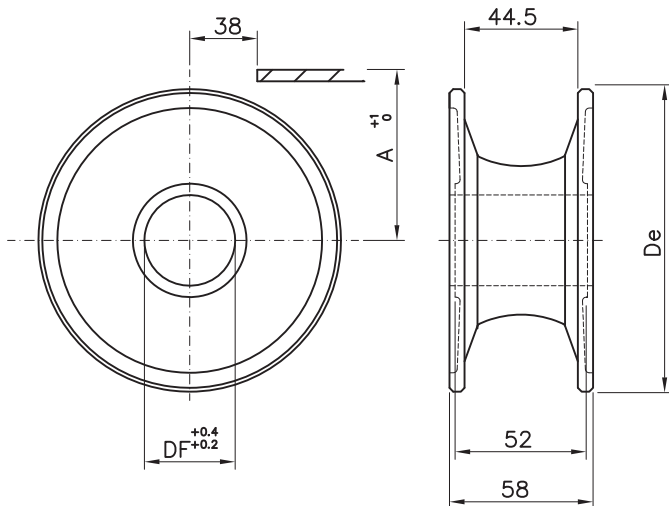


CODE	Z	De	Dp	A	L	Df
D10621 25	21	129.5	129.26	67.8	51.0	25
D10621 30						30
D10621 35						35
D10621 40						40
D10621 45						45
D10623 25	23	142.0	141.22	73.8	51.0	25
D10623 30						30
D10623 35						35
D10623 40						40
D10623 45						45
D10625 25	25	154.2	153.21	79.8	58.5	25
D10625 30						30
D10625 35						35
D10625 40						40
D10625 45						45

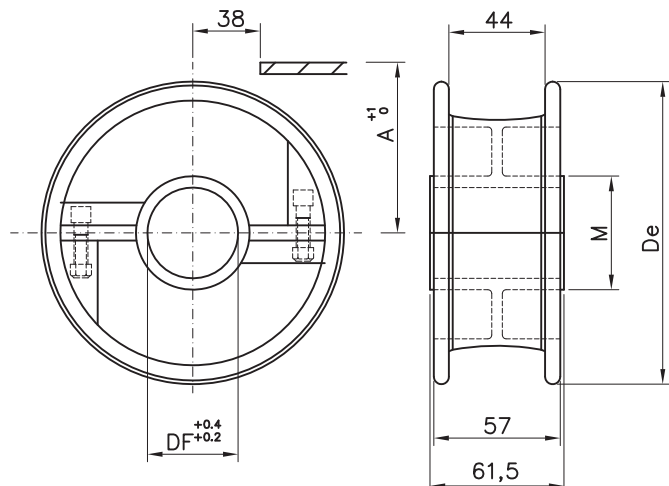
INJECTED IDLER WHEELS 820/831/831LBP/831G Series

Standard idler wheels

material: self-lubricating polyamide
colour: black



CODE	Z eq.	De	A	Df
P00615 25	15	95.5	92.0	25
P00615 30				30
P00617 25	17	106.5	57.0	25
P00617 30				30
P00618 25	18	113.0	92.0	25
P00618 30				30
P00619 20	19	117.0	62.6	20
P00619 25				25
P00619 30				30
P00619 35				35
P00619 40				40
P00621 20	21	129.8	68.6	20
P00621 25				25
P00621 30				30
P00621 35				35
P00621 40				40
P00623 20	23	142.2	74.6	20
P00623 25				25
P00623 30				30
P00623 35				35
P00623 40				40
P00625 20	25	154.7	80.5	20
P00625 25				25
P00625 30				30
P00625 35				35
P00625 40				40



Split idler wheels

material: self-lubricating polyamide - screws
in stainless steel
colour: black

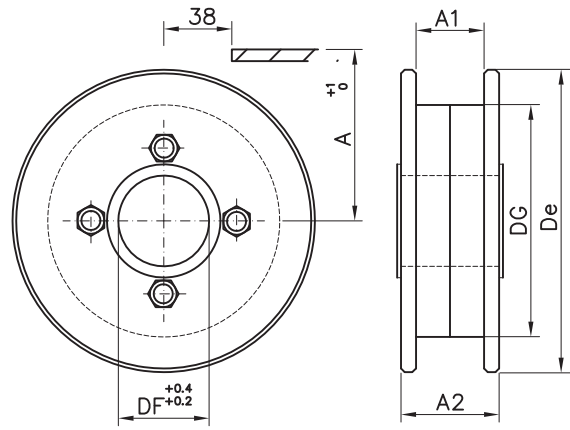
CODE	Z eq.	De	A	M	Df
P10621 25	21	130	48.2	35	25
P10621 30				40	30
P10621 35				45	35
P10621 40				50	40
P10623 25	23	142.5	74.6	40	25
P10623 30				40	30
P10623 35				50	35
P10623 40				50	40
P10625 25	25	154.5	80.5	35	25
P10625 30				40	30
P10625 35				45	35
P10625 40				50	40



INJECTED IDLER WHEELS 820/831/831LBP/831G Series

Standard idler wheels
material: self-lubricating polyamide / colour: black

CODE	Z eq.	De	Dg	A	A1	A2	Df						
K00615 30	15	90.0	58.0	48.2	48.0	83.0	30						
K00615 35							35						
K00615 40							40						
K00615 45							45						
K00617 25	17	106.0	71.0	56.2	44.0	52.0	25						
K00617 30							30						
K00619 25							19	118.0	80.0	62.6	44.0	60.0	25
K00619 30													30
K00619 35	35												
K00619 40	40												
K00621 25	21	129.8	80.0	68.6	44.0	60.0	25						
K00621 30							30						
K00621 35							35						
K00621 40							40						
K00623 25	23	142.5	108.0	74.6	44.0	60.0	25						
K00623 30							30						
K00623 35							35						
K00623 40							40						

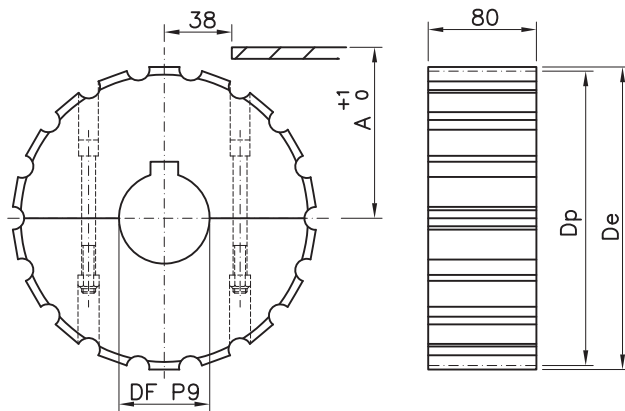


K00625 25	25	155.0	108.0	74.6	44.0	60.0	25
K00625 30							30
K00625 35							35
K00625 40							40

MACHINED SPROCKETS 821/821LBP/821G Series

Split sprockets
material: polyamide - screws in stainless steel / UNI 6604-69 key seat

CODE	Z	De	Dp	A	Df
S11719 18	19	117.0	117.34	61.9	18*
S11719 25					25
S11719 30					30
S11719 35					35
S11719 40	40				
S11721 18	21	129.0	129.26	67.8	18*
S11721 25					25
S11721 30					30
S11721 35					35
S11721 40	40				
S11723 18	23	142.0	141.21	73.8	18*
S11723 25					25
S11723 30					30
S11723 35					35
S11723 40	40				
S11725 18	25	154.0	153.21	79.8	18*
S11725 25					25
S11725 30					30
S11725 35					35
S11725 40	40				

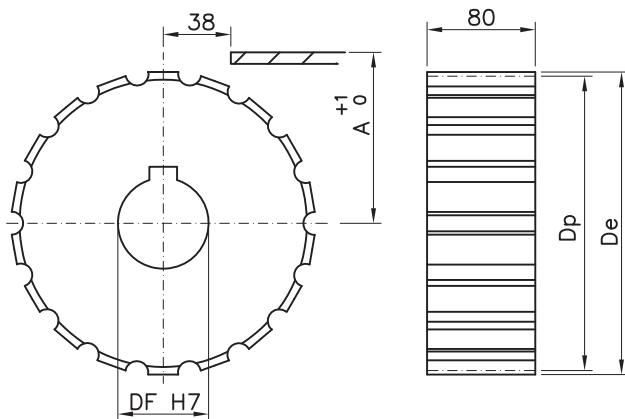


S11727 18	27	166.8	165.2	85.8	18*
S11727 25					25
S11727 30					30
S11727 35					35
S11727 40	40				
S11729 18	29	178.5	177.24	91.8	18*
S11729 25					25
S11729 30					30
S11729 35					35
S11729 40	40				

* plain bore

Standard sprockets
material: polyamide / UNI 6604-69 key seat

CODE	Z	De	Dp	A	Df
S01719 25	19	117.0	117.34	61.9	25
S01719 30					30
S01719 35					35
S01719 40					40
S01721 25	21	129.0	129.26	67.8	25
S01721 30					30
S01721 35					35
S01721 40					40
S01723 25	23	142.0	141.21	73.8	25
S01723 30					30
S01723 35					35
S01723 40					40
S01725 25	25	154.0	153.21	79.8	25
S01725 30					30
S01725 35					35
S01725 40					40
S01727 25	27	166.8	165.2	85.8	25
S01727 30					30
S01727 35					35
S01727 40					40

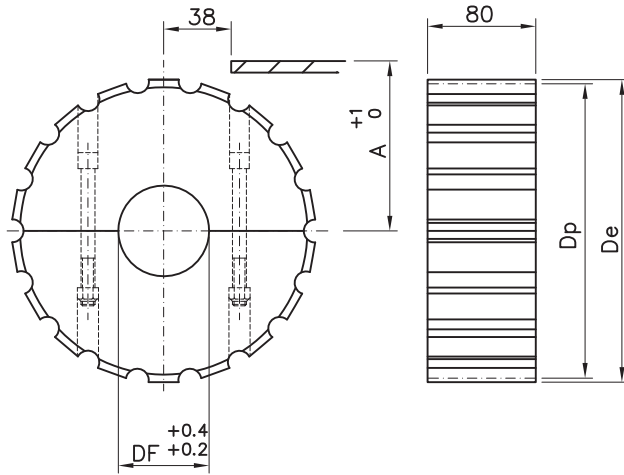


S01729 25	29	178.5	177.24	91.8	25
S01729 30					30
S01729 35					35
S01729 40					40



Split idler wheels

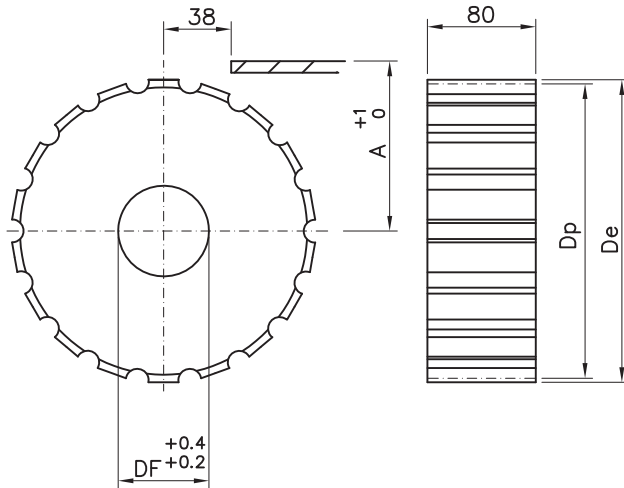
material: polyamide - screws in stainless steel



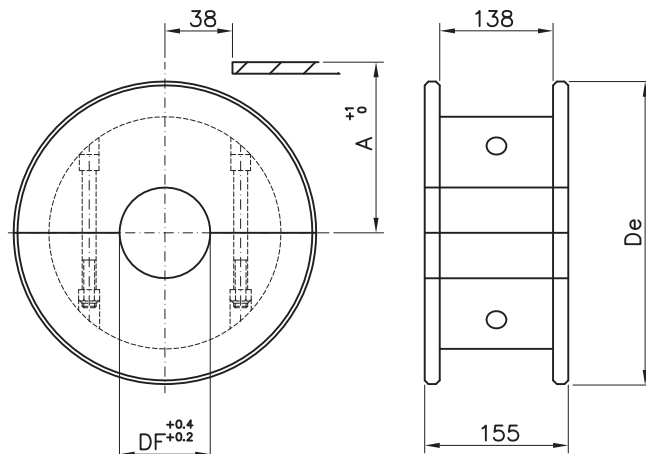
CODE	Z	De	Dp	A	Df
R11719 25	19	117.0	117.34	61.9	25
R11719 30					30
R11719 35					35
R11719 40					40
R11721 25	21	129.0	129.26	67.8	25
R11721 30					30
R11721 35					35
R11721 40					40
R11723 25	23	142.0	141.21	73.8	25
R11723 30					30
R11723 35					35
R11723 40					40
R11725 25	25	154.0	153.21	79.8	25
R11725 30					30
R11725 35					35
R11725 40					40
R11727 25	27	166.8	165.2	85.8	25
R11727 30					30
R11727 35					35
R11727 40					40
R11729 25	29	178.5	177.24	91.8	25
R11729 30					30
R11729 35					35
R11729 40					40

Standard idler wheels

material: polyamide



CODE	Z	De	Dp	A	Df
R01719 25	19	117.0	117.34	61.9	25
R01719 30					30
R01719 35					35
R01719 40					40
R01721 25	21	129.0	129.26	67.8	25
R01721 30					30
R01721 35					35
R01721 40					40
R01723 25	23	142.0	141.21	73.8	25
R01723 30					30
R01723 35					35
R01723 40					40
R01725 25	25	154.0	153.21	79.8	25
R01725 30					30
R01725 35					35
R01725 40					40
R01727 25	27	166.8	165.20	85.8	25
R01727 30					30
R01727 35					35
R01727 40					40
R01729 25	29	178.5	177.24	91.8	25
R01729 30					30
R01729 35					35
R01729 40					40



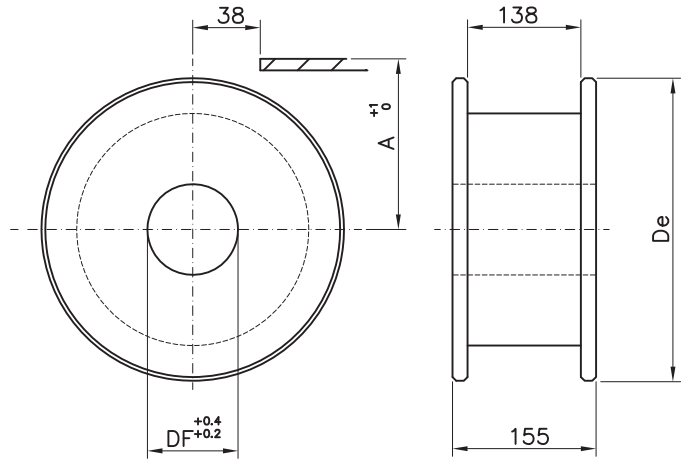
Split idler wheels

material: polyamide - screws in stainless steel

CODE	Z eq.	De	A	Df
P11719 30	19	117.0	62.6	30
P11719 35				35
P11719 40				40
P11721 30	21	129.8	68.6	30
P11721 35				35
P11721 40				40
P11723 30	23	142.2	74.6	30
P11723 35				35
P11723 40				40
P11725 30	25	154.7	80.5	30
P11725 35				35
P11725 40				40

Standard idler wheels
 material: polyamide

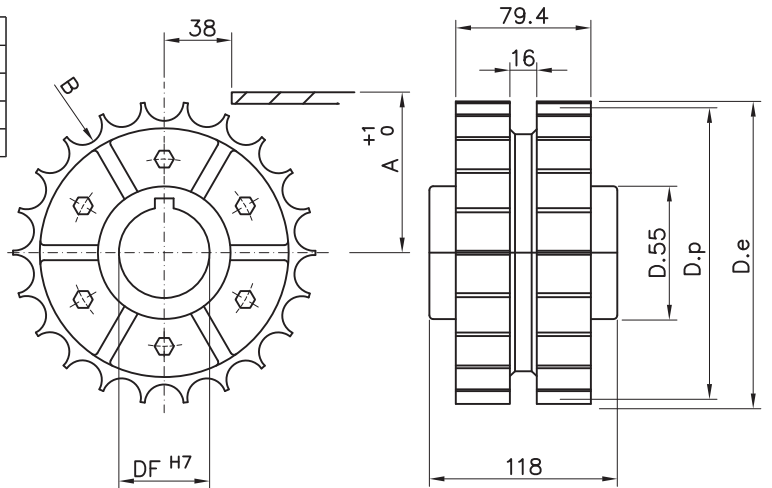
CODE	Z eq.	De	A	Df
P01719 30	19	117.0	62.6	30
P01719 35				35
P01719 40				40
P01721 30	21	129.8	68.6	30
P01721 35				35
P01721 40				40
P01723 30	23	142.2	74.6	30
P01723 35				35
P01723 40				40
P01725 30	25	154.7	80.5	30
P01725 35				35
P01725 40				40



INJECTED SPROCKETS AND IDLER WHEELS
821/821LBP/821G Series

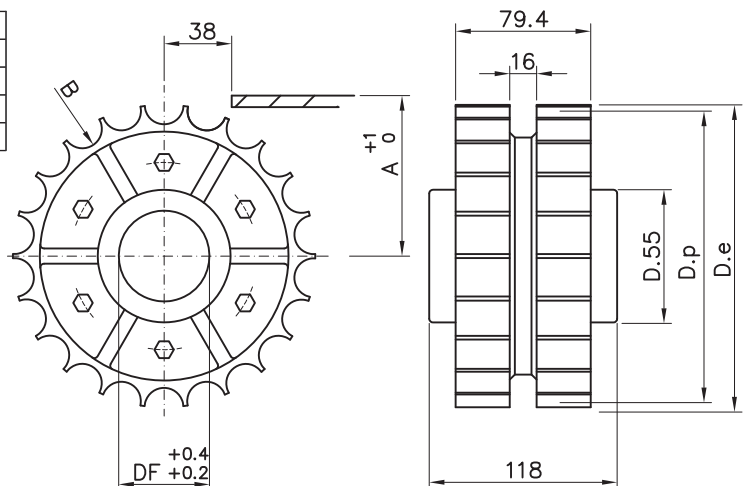
Drive sprockets
 material: reinforced polyamide - screws in stainless steel
 UNI 6604-69 key seat

CODE	Z	De	Dp	A	B	Df
S00725 25	25	154.0	153.2	79.8	140.1	25
S00725 30						30
S00725 35						35
S00725 40						40



Standard idler wheels
 material: polyamide - screws in stainless steel,
 nuts in nickel plated brass

CODE	Z	De	Dp	A	B	Df
R00725 25	25	154.0	153.2	79.8	140.1	25
R00725 30						30
R00725 35						35
R00725 40						40

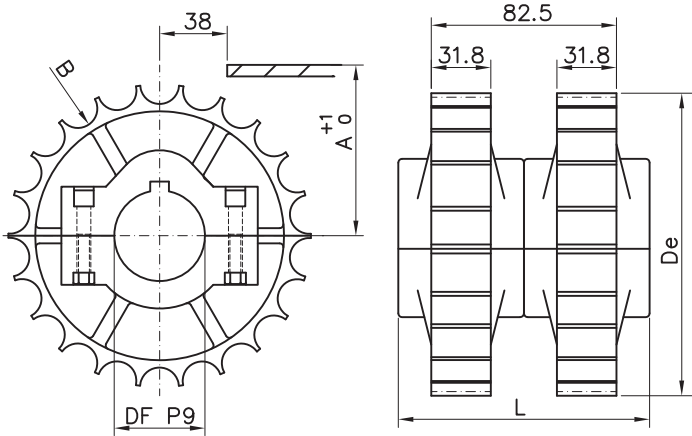


INJECTED SPROCKETS AND IDLER WHEELS 821/821LBP/821G Series



Split sprockets

material: reinforced polyamide - screws in stainless steel,
nuts in nickel plated brass / UNI 6604-69 key seat

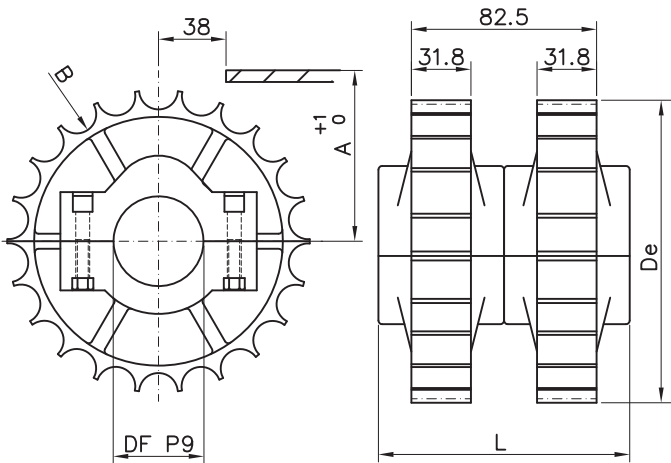


CODE	Z	De	Dp	A	B	L	Df
S10721 35	21	129.5	129.26	79.8	140.1	102.0	35
S10721 40							40
S10721 45							45
S10723 35	23	142.0	141.22	79.8	140.1	102.0	35
S10723 40							40
S10723 45							45
S10725 35	25	154.2	153.21	79.8	140.1	117.0	35
S10725 40							40
S10725 45							45

INJECTED IDLER WHEELS 821/821LBP/821G Series

Split idler wheels

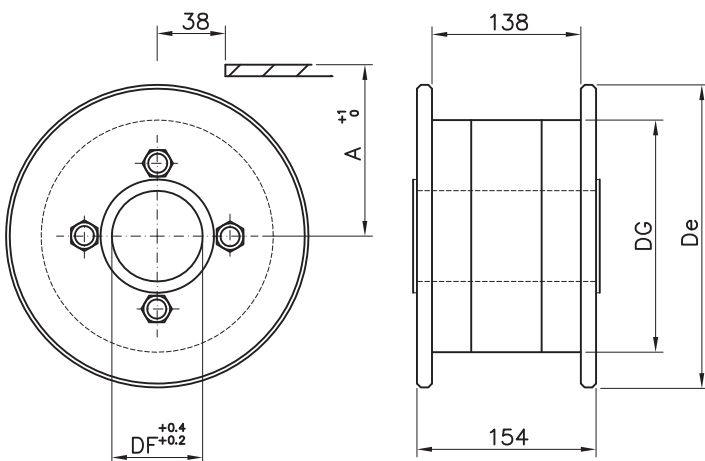
material: reinforced polyamide - screws in stainless steel,
nuts in nickel plated brass



CODE	Z	De	Dp	A	B	L	Df
R10721 35	21	129.5	129.26	79.8	140.1	102.0	35
R10721 40							40
R10721 45							45
R10723 35	23	142.0	141.22	79.8	140.1	102.0	35
R10723 40							40
R10723 45							45
R10725 35	25	154.2	153.21	79.8	140.1	117.0	35
R10725 40							40
R10725 45							45

Standard idler wheels

material: self-lubricating polyamide -
screws in zinc plated steel / colour: black



CODE	Z eq.	De	Dg	A	Df
K00719 25	19	118.0	80.0	62.6	25
K00719 30					30
K00719 35					35
K00719 40					40
K00721 25	21	128.0	80.0	68.6	25
K00721 30					30
K00721 35					35
K00721 40					40
K00723 25	23	142.5	108.0	74.6	25
K00723 30					30
K00723 35					35
K00723 40					40
K00725 25	25	155.0	108.0	80.5	25
K00725 30					30
K00725 35					35
K00725 40					40



MACHINED SPROCKETS
878TAB/G-879/M-879TAB/G-880/880TAB/880M Series

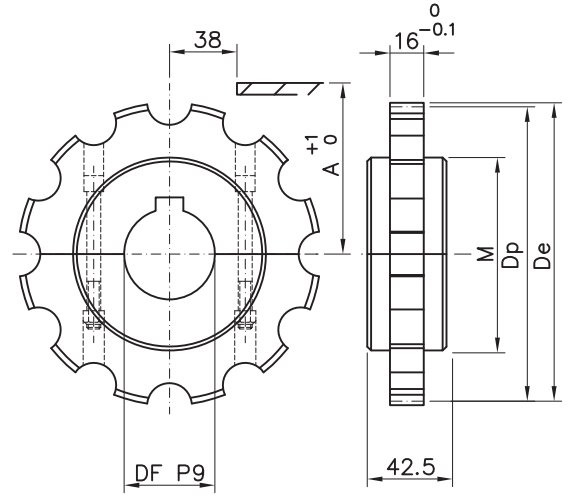
Split sprockets

material: polyamide - screws in stainless steel

UNI 6604-69 key seat

CODE	Z	De	Dp	A	B	M	Df
S11809 18	09	110.0	111.4	59.3	95.0	75.0	18*
S11809 25							25
S11809 30							30
S11809 35							35
S11809 40							40
S11810 18	10	122.0	123.3	65.25	107.0	85.0	18*
S11810 25							25
S11810 30							30
S11810 35							35
S11810 40							40
S11811 18	11	135	135.2	71.2	119.0	90.0	18*
S11811 25							25
S11811 30							30
S11811 35							35
S11811 40							40
S11812 18	12	147.3	147.2	77.2	131.0	95.0	18*
S11812 25							25
S11812 30							30
S11812 35							35
S11812 40							40

* plain bore

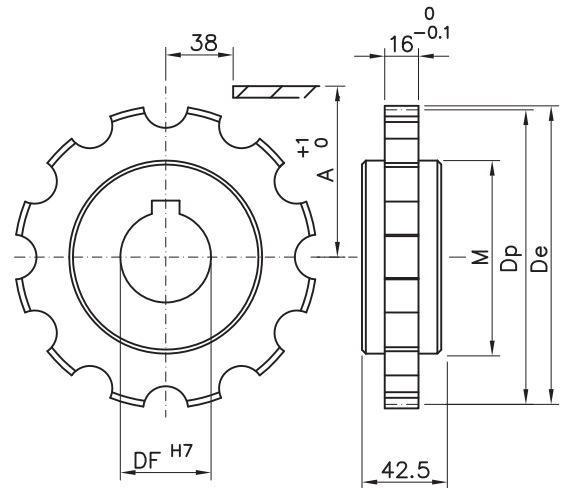


Standard sprockets

material: polyamide

UNI 6604-69 key seat

CODE	Z	De	Dp	A	B	M	Df
S01809 25	09	110.0	111.4	59.3	95.0	75.0	25
S01809 30							30
S01809 35							35
S01809 40							40
S01810 25							10
S01810 30	30						
S01810 35	35						
S01810 40	40						
S01811 25	11	135.0	135.2	71.2	119.0	90.0	
S01811 30							30
S01811 35							35
S01811 40							40
S01812 25							12
S01812 30	30						
S01812 35	35						
S01812 40	40						



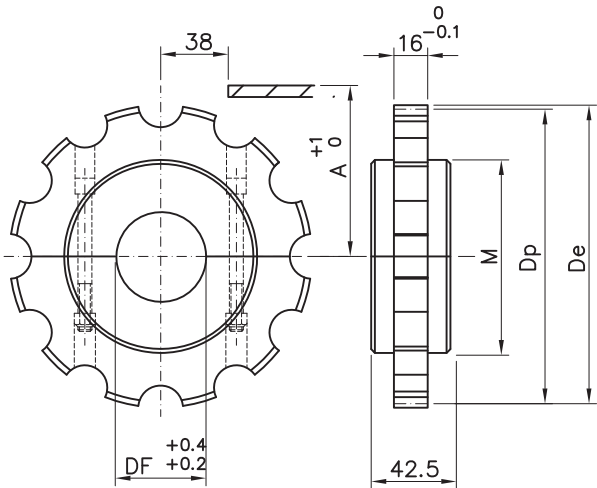
MACHINED IDLER WHEELS

878TAB/879G/M-879TAB/880G/880TAB/880M Series



Split idler wheels

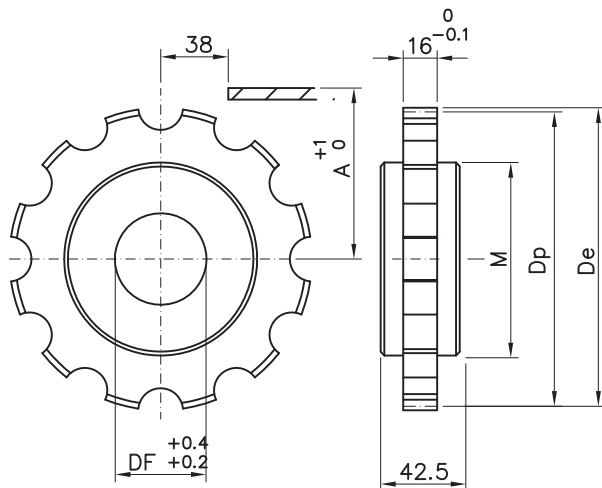
material: polyamide - screws in stainless steel



CODE	Z	De	Dp	A	B	M	Df
R11809 18	09	110.0	111.4	59.3	95.0	75.0	18
R11809 25							25
R11809 30							30
R11809 35							35
R11809 40							40
R11810 18	10	122.0	123.3	65.25	107.0	85.0	18
R11810 25							25
R11810 30							30
R11810 35							35
R11810 40							40
R11811 18	11	135.0	135.2	71.2	119.0	90.0	18
R11811 25							25
R11811 30							30
R11811 35							35
R11811 40							40
R11812 18	12	147.3	147.2	77.2	131.0	95.0	18
R11812 25							25
R11812 30							30
R11812 35							35
R11812 40							40

Standard idler wheels

material: polyamide



CODE	Z	De	Dp	A	B	M	Df
R01809 25	09	110.0	111.4	59.3	95.0	75.0	25
R01809 30							30
R01809 35							35
R01809 40							40
R01810 25							10
R01810 30	30						
R01810 35	35						
R01810 40	40						
R01811 25	11	135.0	135.2	71.2	119.0	90.0	
R01811 30							30
R01811 35							35
R01811 40							40
R01812 25							12
R01812 30	30						
R01812 35	35						
R01812 40	40						

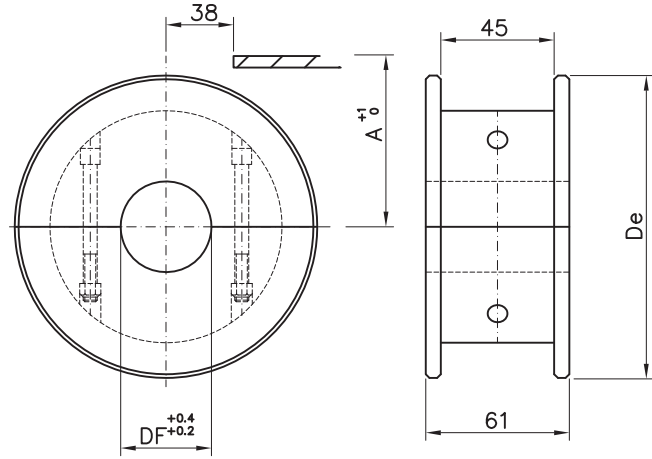


MACHINED IDLER WHEELS
878/879/879M/879M-G Series

Split idler wheels

material: polyamide - screws in stainless steel

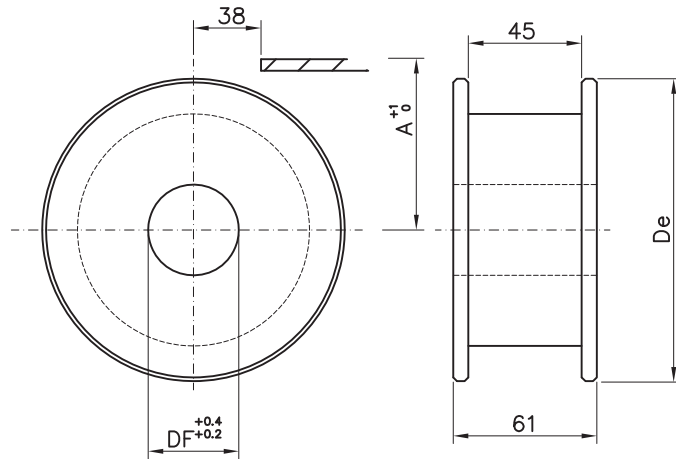
CODE	Z eq.	De	A	Df
P11609 20	09	117.0	62.6	20
P11609 25				25
P11609 30				30
P11609 35				35
P11609 40				40
P11610 20	10	129.8	68.6	20
P11610 25				25
P11610 30				30
P11610 35				35
P11610 40				40
P11611 20	11	142.2	74.6	20
P11611 25				25
P11611 30				30
P11611 35				35
P11611 40				40
P11612 20	12	154.7	80.5	20
P11612 25				25
P11612 30				30
P11612 35				35
P11612 40				40



standard idler wheels

material: polyamide

CODE	Z eq.	De	A	Df
P01609 20	09	117.0	62.6	20
P01609 25				25
P01609 30				30
P01609 35				35
P01609 40				40
P01610 20	10	129.8	68.6	20
P01610 25				25
P01610 30				30
P01610 35				35
P01610 40				40
P01611 20	11	142.2	74.6	20
P01611 25				25
P01611 30				30
P01611 35				35
P01611 40				40
P01612 20	12	154.7	80.5	20
P01612 25				25
P01612 30				30
P01612 35				35
P01612 40				40



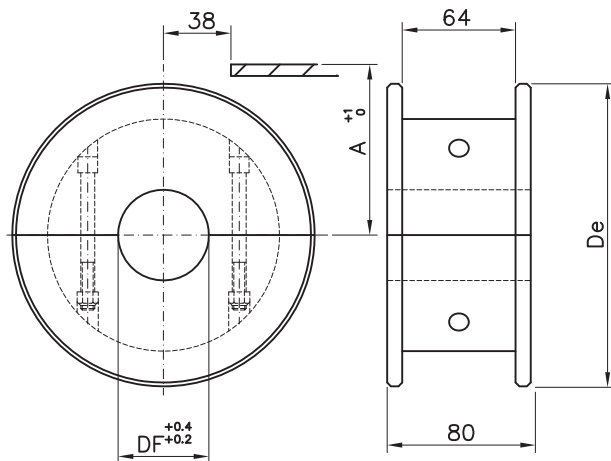
MACHINED IDLER WHEELS

878TAB/878TAB-G/879TAB/879TAB-G/880TAB Series



Split idler wheels

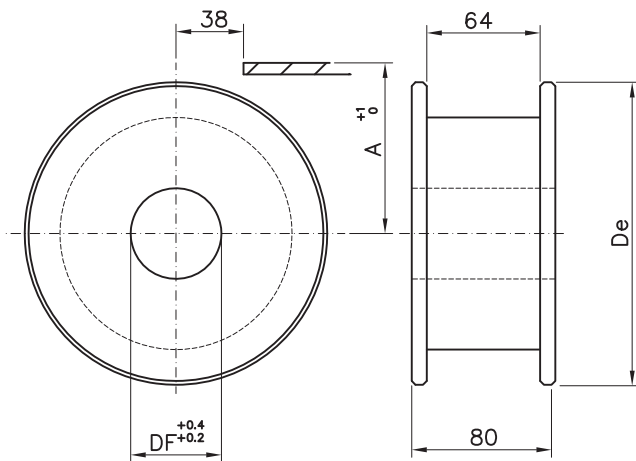
material: polyamide - screws in stainless steel



CODE	Z eq.	De	A	Df
B11809 20	09	117.0	62.1	20
B11809 25				25
B11809 30				30
B11809 35				35
B11809 40				40
B11810 20	10	129.8	68.5	20
B11810 25				25
B11810 30				30
B11810 35				35
B11810 40				40
B11811 20	11	142.2	74.7	20
B11811 25				25
B11811 30				30
B11811 35				35
B11811 40				40
B11812 20	12	154.7	80.9	20
B11812 25				25
B11812 30				30
B11812 35				35
B11812 40				40

Standard idler wheels

material: polyamide



CODE	Z eq.	De	A	Df
B01809 20	09	117.0	62.1	20
B01809 25				25
B01809 30				30
B01809 35				35
B01809 40				40
B01810 20	10	129.8	68.5	20
B01810 25				25
B01810 30				30
B01810 35				35
B01810 40				40
B01811 20	11	142.2	74.7	20
B01811 25				25
B01811 30				30
B01811 35				35
B01811 40				40
B01812 20	12	154.7	80.9	20
B01812 25				25
B01812 30				30
B01812 35				35
B01812 40				40

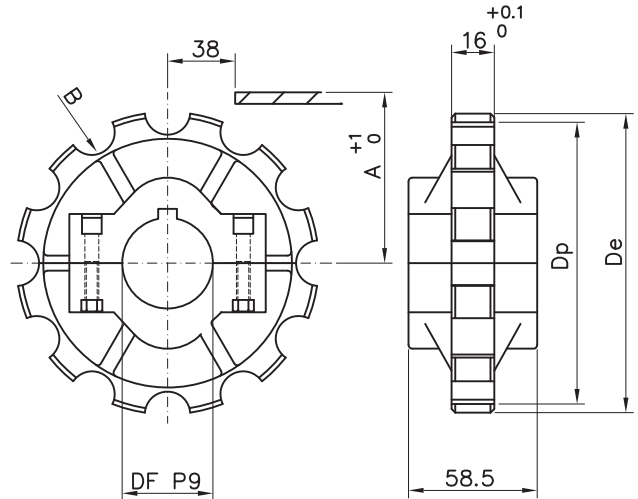


INJECTED SPROCKETS AND IDLER WHEELS
878TAB/878TABG/879TAB/879TABG/880TAB Series

Split sprockets

material: reinforced polyamide - screws in stainless steel,
 nuts in nickel plated brass / UNI 6604-69 key seat

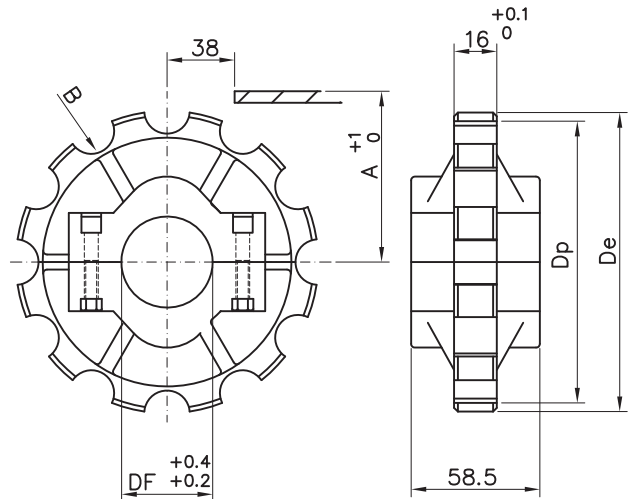
CODE	Z	De	Dp	A	B	Df
S10810 25	10	122.0	123.3	65.25	107.0	25
S10810 30						30
S10810 35						35
S10810 40						40
S10812 25	12	147.0	146.8	77.2	131.0	25
S10812 30						30
S10812 35						35
S10812 40						40



Split idler wheels

material: polyamide - screws in stainless steel,
 nuts in nickel plated brass

CODE	Z	De	Dp	A	B	Df
R10810 25	10	122.0	123.3	65.25	107.0	25
R10810 30						30
R10810 35						35
R10810 40						40
R10812 25	12	147.0	146.8	77.2	131.0	25
R10812 30						30
R10812 35						35
R10812 40						40

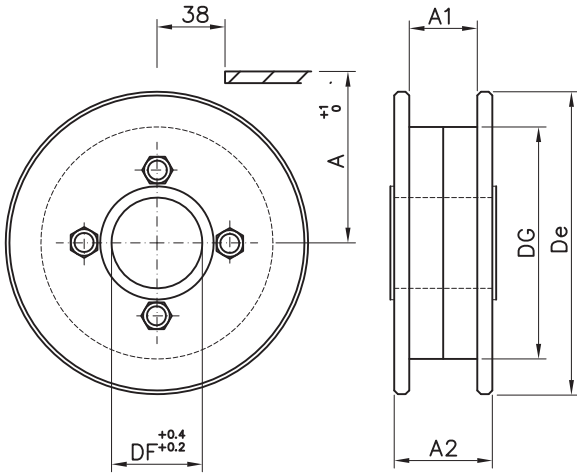


INJECTED IDLER WHEELS
879/M-879M/880G/880M Series



Idler wheels

material: self-lubricating polyamide - screws in zinc plated steel

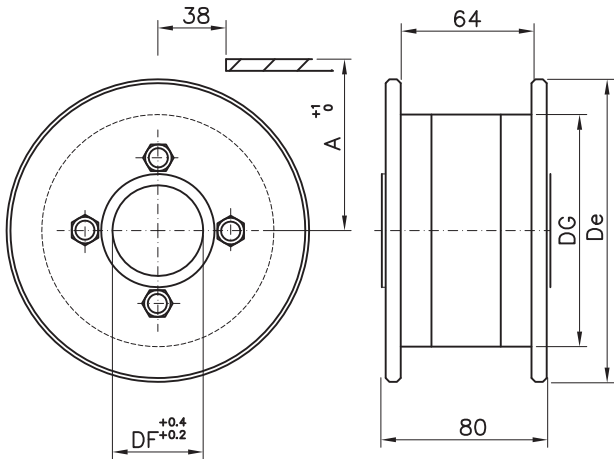


CODE	Z eq.	De	Dg	A	A1	A2	Df
K00608 25	08	106.0	71.0	56.2	44.0	52.0	25
K00608 30							30
K00609 25	09	118.0	80.0	62.6	44.0	60.0	25
K00609 30							30
K00609 35							35
K00609 40							40
K00610 25	10	129.8	80.0	68.6	44.0	60.0	25
K00610 30							30
K00610 35							35
K00610 40							40
K00611 25	11	142.5	108.0	74.6	44.0	60.0	25
K00611 30							30
K00611 35							35
K00611 40							40
K00612 25	12	155.0	108.0	80.5	44.0	60.0	25
K00612 30							30
K00612 35							35
K00612 40							40

INJECTED IDLER WHEELS
878TAB/G-879TAB/G-880TAB Series

Idler wheels

material: self-lubricating polyamide - screws in zinc plated steel



CODE	Z eq.	De	Dg	A	Df
T00809 25	09	118.0	80.0	62.6	25
T00809 30					30
T00809 35					35
T00809 40					40
T00810 25	10	129.8	80.0	68.6	25
T00810 30					30
T00810 35					35
T00810 40					40
T00811 25	11	142.5	108.0	74.6	25
T00811 30					30
T00811 35					35
T00811 40					40
T00812 25	12	155.0	108.0	80.5	25
T00812 30					30
T00812 35					35
T00812 40					40



MACHINED SPROCKETS

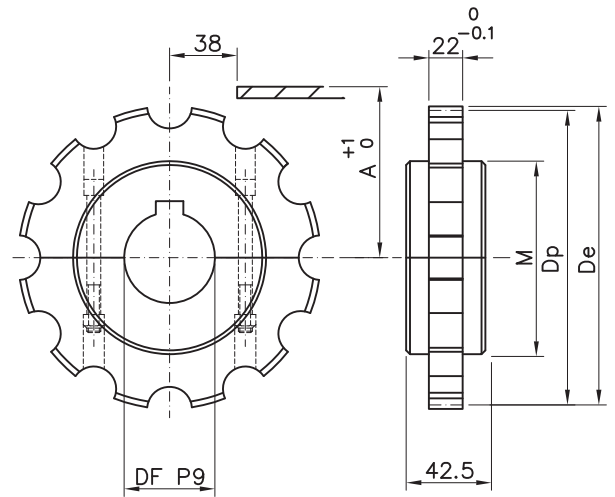
882BEVEL/882TAB/882M/8257/LBP8257/LBP882M/LBP882TAB/8257G/882TAB-G/882MG Series

Split sprockets

material: polyamide - screws in stainless steel

UNI 6604-69 key seat

CODE	Z	De	Dp	A	B	M	Df
S11909 18	09	112.0	111.4	60.5	92.1	60.0	18
S11909 25							25
S11909 30							30
S11909 35							35
S11909 40							40
S11910 18	10	125.0	123.2	66.4	104.0	75.0	18
S11910 25							25
S11910 30							30
S11910 35							35
S11910 40							40
S11911 18	11	137.0	135.2	72.4	116.0	85.0	18
S11911 25							25
S11911 30							30
S11911 35							35
S11911 40							40
S11912 18	12	149.0	147.2	78.4	127.9	90.0	18
S11912 25							25
S11912 30							30
S11912 35							35
S11912 40							40

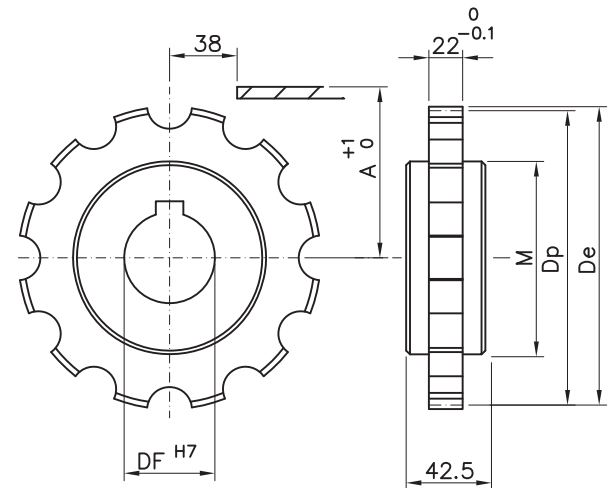


Standard sprockets

material: polyamide

UNI 6604-69 key seat

CODE	Z	De	Dp	A	B	M	Df
S01909 30	09	112.0	111.4	60.5	92.1	60.0	30
S01909 35							35
S01909 40							40
S01910 30	10	125.0	123.2	66.4	104.0	75.0	30
S01910 35							35
S01910 40							40
S01911 30	11	137.0	135.2	72.4	116.0	85.0	30
S01911 35							35
S01911 40							40
S01912 30	12	149.0	147.2	78.4	127.9	90.0	30
S01912 35							35
S01912 40							40



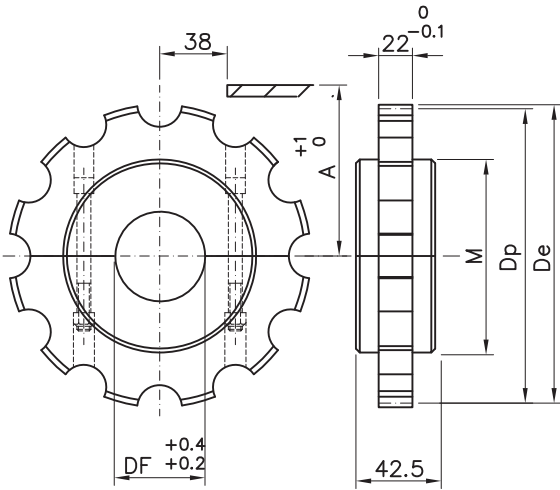
MACHINED IDLER WHEELS

882BEVEL/882TAB/882M/8257/LBP8257/LBP882M/LBP882TAB/8257G/882TAB-G/882M-G Series



Split idler wheels

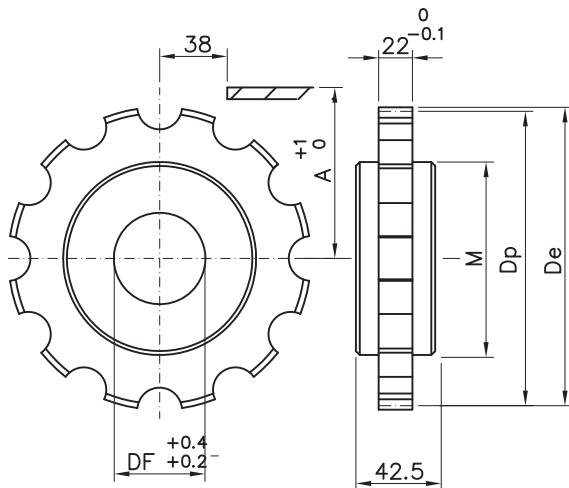
material: polyamide - screws in stainless steel



CODE	Z	De	Dp	A	B	M	Df
R11909 30	09	112.0	111.4	60.5	92.1	60.0	30
R11909 35							35
R11909 40							40
R11910 30	10	125.0	123.2	66.4	104.0	75.0	30
R11910 35							35
R11910 40							40
R11911 30	11	137.0	135.2	72.4	116.0	85.0	30
R11911 35							35
R11911 40							40
R11912 30	12	149.0	147.2	78.4	127.9	90.0	30
R11912 35							35
R11912 40							40

Standard idler wheels

material: polyamide



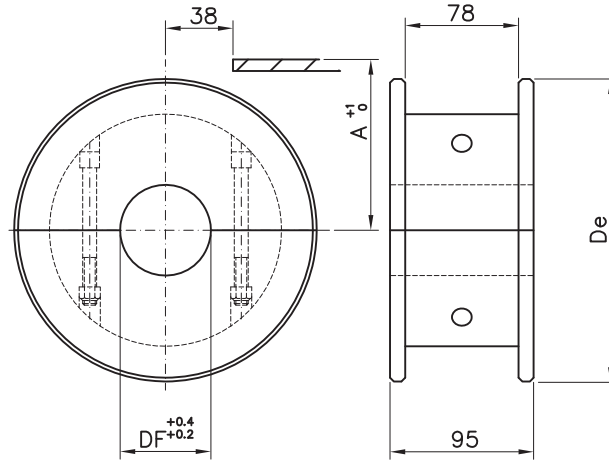
CODE	Z	De	Dp	A	B	M	Df
R01909 30	09	112.0	111.4	60.5	92.1	60.0	30
R01909 35							35
R01909 40							40
R01910 30	10	125.0	123.2	66.4	104.0	75.0	30
R01910 35							35
R01910 40							40
R01911 30	11	137.0	135.2	72.4	116.0	85.0	30
R01911 35							35
R01911 40							40
R01912 30	12	149.0	147.2	78.4	127.9	90.0	30
R01912 35							35
R01912 40							40



MACHINED IDLER WHEELS
882TAB/LBP882TAB/882TAB-G Series

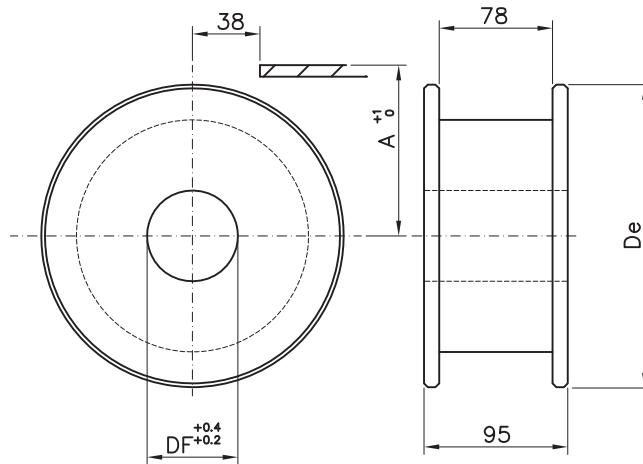
Split idler wheels
 material: polyamide - screws in stainless steel

CODE	Z eq.	De	A	Df
B11909 20	09	117.0	63.8	20
B11909 25				25
B11909 30				30
B11909 35				35
B11909 40				40
B11910 20	10	129.8	69.5	20
B11910 25				25
B11910 30				30
B11910 35				35
B11910 40				40
B11911 20	11	142.2	75.9	20
B11911 25				25
B11911 30				30
B11911 35				35
B11911 40				40
B11912 20	12	154.7	82.1	20
B11912 25				25
B11912 30				30
B11912 35				35
B11912 40				40



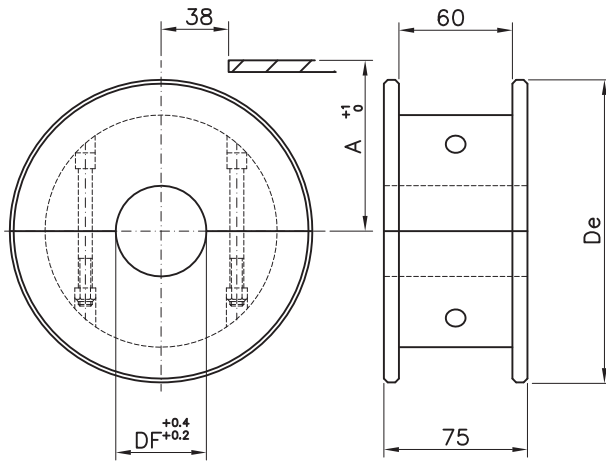
Standard idler wheels
 material: polyamide

CODE	Z eq.	De	A	Df
B01909 20	09	117.0	63.8	20
B01909 25				25
B01909 30				30
B01909 35				35
B01909 40				40
B01910 20	10	129.8	69.5	20
B01910 25				25
B01910 30				30
B01910 35				35
B01910 40				40
B01911 20	11	142.2	75.9	20
B01911 25				25
B01911 30				30
B01911 35				35
B01911 40				40
B01912 20	12	154.7	82.1	20
B01912 25				25
B01912 30				30
B01912 35				35
B01912 40				40



MACHINED IDLER WHEELS

882M/8257/8257LBP/882LBP-M/8257G/882M-G Series

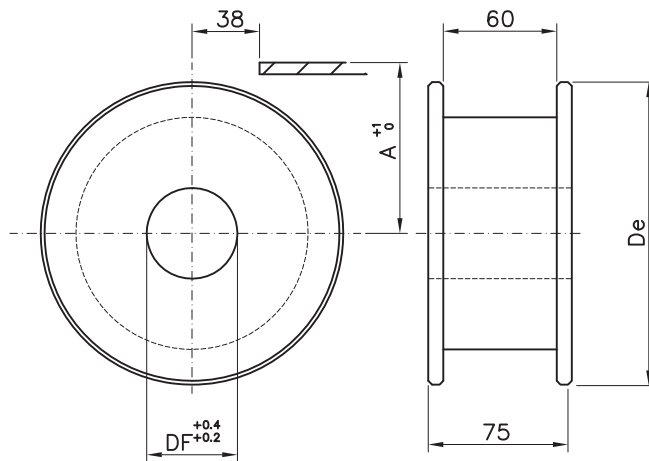


P11429 20	29	179.3	92.8	20
P11429 25				25
P11429 30				30
P11429 35				35
P11429 40				40

Split idler wheels

material: polyamide - screws in stainless steel

CODE	Z eq.	De	A	Df
P11417 20	17	104.0	56.2	20
P11417 25				25
P11417 30				30
P11417 35				35
P11417 40				40
P11419 20	19	117.0	62.6	20
P11419 25				25
P11419 30				30
P11419 35				35
P11419 40				40
P11421 20	21	129.8	68.6	20
P11421 25				25
P11421 30				30
P11421 35				35
P11421 40				40
P11423 20	23	142.2	74.6	20
P11423 25				25
P11423 30				30
P11423 35				35
P11423 40				40
P11425 20	25	154.7	80.5	20
P11425 25				25
P11425 30				30
P11425 35				35
P11425 40				40
P11427 20	27	167.2	86.5	20
P11427 25				25
P11427 30				30
P11427 35				35
P11427 40				40



P01429 20	29	179.3	92.8	20
P01429 25				25
P01429 30				30
P01429 35				35
P01429 40				40

Standard idler wheels

material: polyamide

CODE	Z eq.	De	A	Df
P01417 20	17	104.0	56.2	20
P01417 25				25
P01417 30				30
P01417 35				35
P01417 40				40
P01419 20	19	117.0	62.6	20
P01419 25				25
P01419 30				30
P01419 35				35
P01419 40				40
P01421 20	21	129.8	68.6	20
P01421 25				25
P01421 30				30
P01421 35				35
P01421 40				40
P01423 20	23	142.2	74.6	20
P01423 25				25
P01423 30				30
P01423 35				35
P01423 40				40
P01425 20	25	154.7	80.5	20
P01425 25				25
P01425 30				30
P01425 35				35
P01425 40				40
P01427 20	27	167.2	86.5	20
P01427 25				25
P01427 30				30
P01427 35				35
P01427 40				40

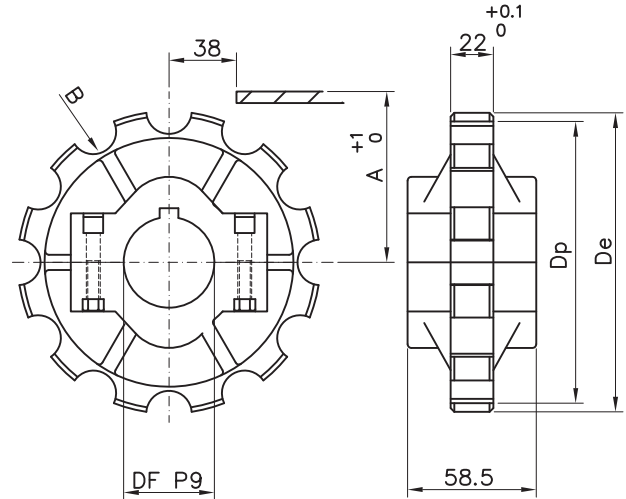


INJECTED SPROCKETS AND IDLER WHEELS
882BEVEL/882TAB/882M/8257/LBP8257 Series

Split sprockets

material: reinforced polyamide - screws in stainless steel, nuts in nickel plated brass / UNI 6604-69 key seat

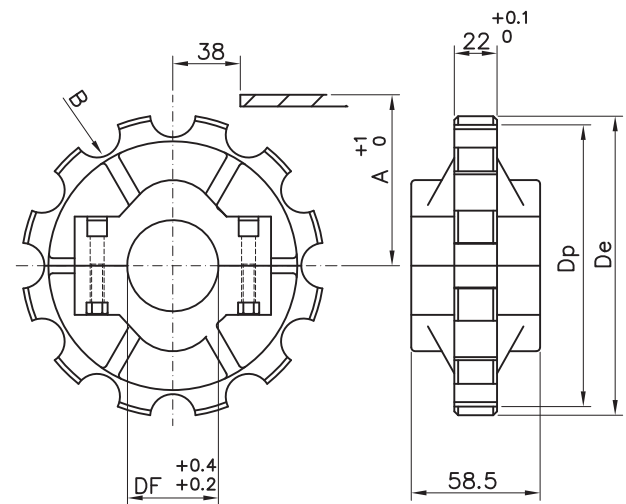
CODE	Z	De	Dp	A	B	Df
S10910 25	10	125.0	123.3	104.0	65.4	25
S10910 30						30
S10910 35						35
S10910 40						40
S10912 25	12	149.2	147.2	128.0	78.4	25
S10912 30						30
S10912 35						35
S10912 40						40



Split idler wheels

material: polyamide - screws in stainless steel, nuts in nickel plated brass

CODE	Z	De	Dp	A	B	Df
R10910 25	10	125.0	123.3	104.0	65.4	25
R10910 30						30
R10910 35						35
R10910 40						40
R10912 25	12	149.2	147.2	128.0	78.4	25
R10912 30						30
R10912 35						35
R10912 40						40

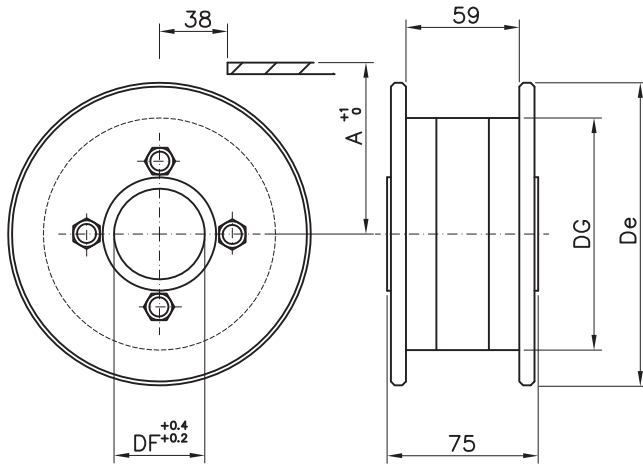


INJECTED IDLER WHEELS

882M/8257/8257LBP/882LBP-M/8257G/882M-G Series



Standard idler wheels
material: self lubricating polyamide -
screws in zinc plated steel

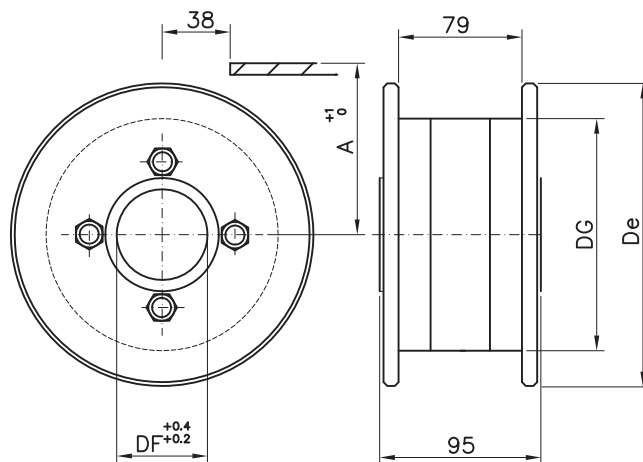


CODE	Z eq.	De	Dg	A	Df
K00419 25	19	118.0	80.0	62.6	25
K00419 30					30
K00419 35					35
K00419 40					40
K00421 25	21	129.8	80.0	68.6	25
K00421 30					30
K00421 35					35
K00421 40					40
K00423 25	23	142.5	108.0	74.6	25
K00423 30					30
K00423 35					35
K00423 40					40
K00425 25	25	155.0	108.0	80.5	25
K00425 30					30
K00425 35					35
K00425 40					40

INJECTED IDLER WHEELS

882TAB/LBP882TAB/882TAB-G Series

Standard idler wheels
material: self lubricating polyamide
screws in zinc plated steel



CODE	Z eq.	De	Dg	A	Df
T00910 25	10	129.8	80.0	68.6	25
T00910 30					30
T00910 35					35
T00910 40					40
T00912 25	12	155.0	108.0	80.5	25
T00912 30					30
T00912 35					35
T00912 40					40

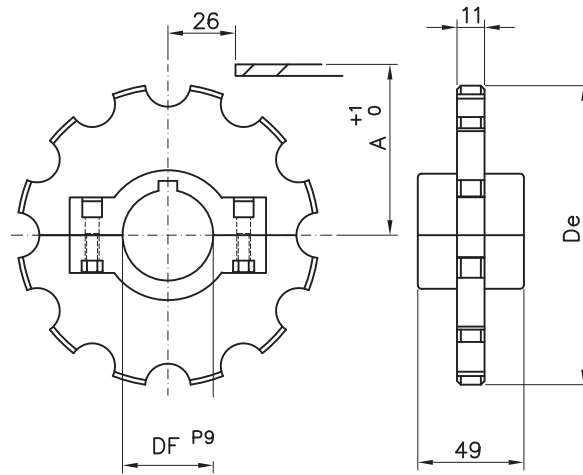


INJECTED SPROCKETS AND IDLER WHEELS 780TAB/790TAB Series

Split sprockets

material: reinforced polyamide - screws in stainless steel
UNI 6604-69 key seat

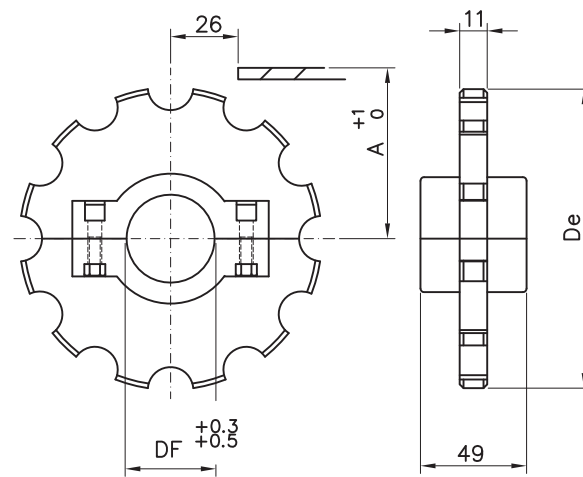
CODE	Z	De	Dp	A	Df
S10A16 30	16	130.9	128.9	67.8	30
S10A16 35					35
S10A16 40					40
S10A16 45					45
S10A18 30	18	146.8	144.8	75.7	30
S10A18 35					35
S10A18 40					40
S10A18 45					45
S10A19 30	19	156.3	154.3	80.5	30
S10A19 35					35
S10A19 40					40
S10A19 45					45



Split idler wheels

material: polyamide - screws in stainless steel

CODE	Z	De	Dp	A	Df
R10A16 30	16	130.9	128.9	67.8	30
R10A16 35					35
R10A16 40					40
R10A16 45					45
R10A18 30	18	146.8	144.8	75.7	30
R10A18 35					35
R10A18 40					40
R10A18 45					45
R10A19 30	19	156.3	154.3	80.5	30
R10A19 35					35
R10A19 40					40
R10A19 45					45



MACHINED SPROCKETS

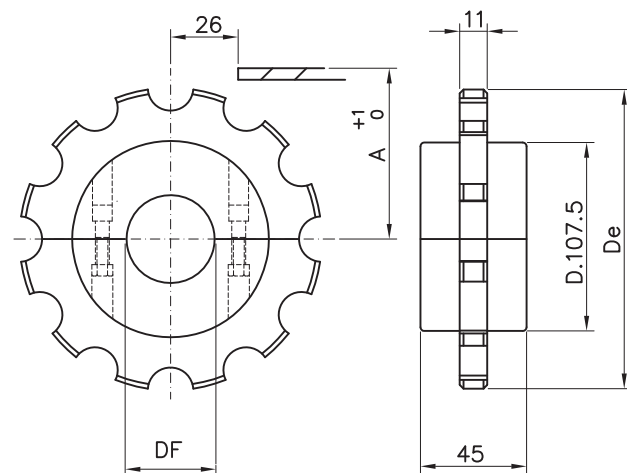
780TAB/790TAB Series

Split sprockets

material: polyamide PA white - screws in stainless steel

CODE	Z	De	Dp	A
S11A16 ...	16	130.9	128.9	67.8
S11A18 ...	18	146.8	144.8	75.7
S11A19 ...	19	156.3	154.3	80.5

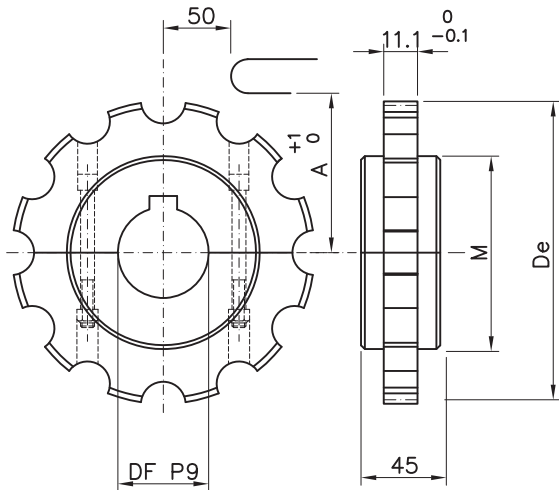
Df	25/30/35/40/45/50
----	-------------------





Split sprockets

material: polyamide - screws in stainless steel
UNI 6604-69 key seat

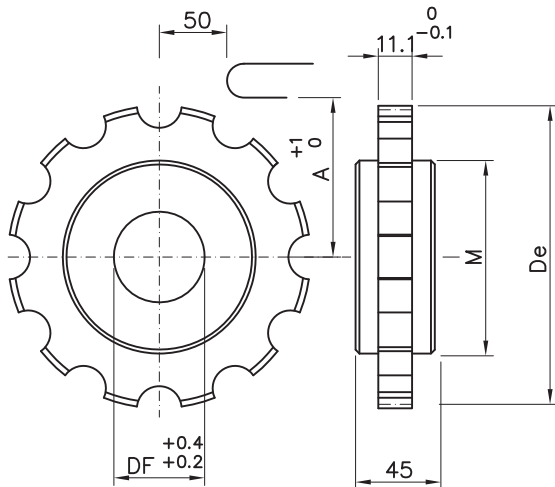


CODE	Z	De	Dp	A	M	Df
S11M08 19*	08	132.8	130.65	53.3	79.0	19*
S11M08 25						25
S11M08 30						30
S11M08 35						35
S11M08 40						40
S11M10 19*	10	165.1	161.8	68.9	110.0	19*
S11M10 25						25
S11M10 30						30
S11M10 35						35
S11M10 40						40
S11M13 19*	13	215.2	208.95	92.5	158.0	19*
S11M13 25						25
S11M13 30						30
S11M13 35						35
S11M13 40						40

* plain bore

Standard idler wheels

material: polyamide



CODE	Z	De	Dp	A	M	Df
R01M08 19*	08	132.8	130.65	53.3	79.0	19*
R01M08 25						25
R01M08 30						30
R01M08 35						35
R01M08 40						40
R01M10 19*	10	165.1	161.8	68.9	110.0	19*
R01M10 25						25
R01M10 30						30
R01M10 35						35
R01M10 40						40
R01M13 19*	13	215.2	208.95	92.5	158.0	19*
R01M13 25						25
R01M13 30						30
R01M13 35						35
R01M13 40						40

* plain bore

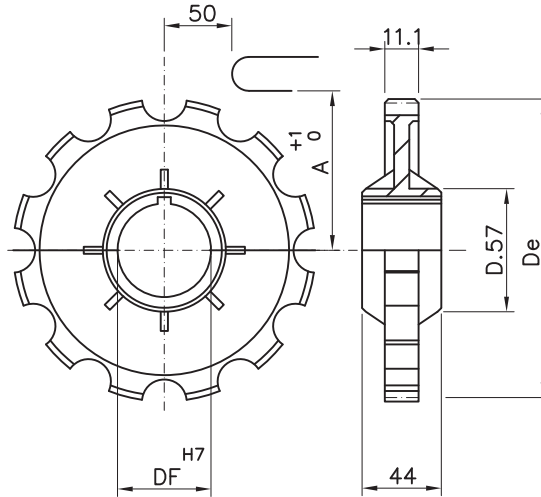


INJECTED SPROCKETS AND IDLER WHEELS
1700/1701TAB/1702/1710 Series

Standard sprockets

material: polyamide PA white, brass HUB
 UNI 6604-69 key seat

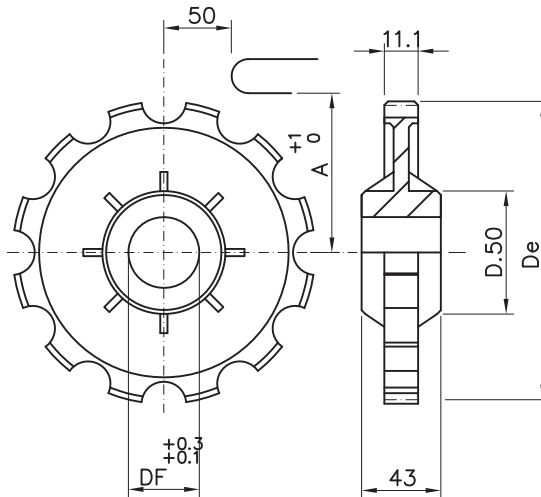
CODE	Z	De	Dp	Df
S00M10 24	10	165.1	161.8	24
S00M10 25				25
S00M10 30				30



Standard idler wheels

material: polyamide PA white

CODE	Z	De	Dp	Df
R00M10 25	10	165.1	161.8	25

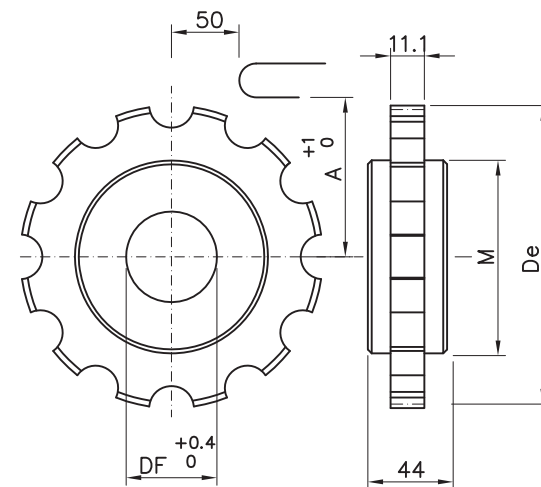


Standard sprockets

material: zinc plated steel (Z), stainless steel (X)

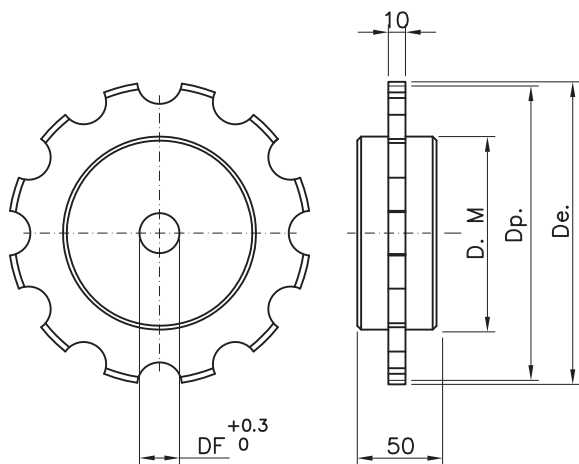
CODE	Z	De	Dp	A	Df
S01Z10 20*	10	165.1	161.8	69.0	20
S01X10 20*	10	165.1	161.8	60.0	20
S01Z12 20*	12	196.1	193.19	69.0	20

* available upon request and minimum order quantity





Standard sprockets and idler wheels
 material: polyamide

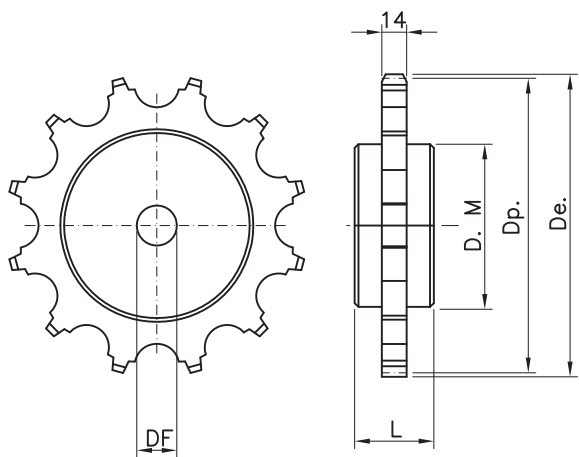


CODE	Z	De	Dp	M	Df
S01C06 20	06	128.0	127.0	74.0	20
S01C08 20	08	177.7	165.93	119.0	20
S01C10 20	10	219.3	205.49	161.0	20
S01C10 35	10	219.3	205.49	161.0	35
S01C12 20*	12	256.0	246.0	96.0	20
S01C14 20*	14	297.0	286.0	96.0	20

* available upon request and minimum order quantity

DF 35: FINISHED BORE WITH KEYWAY
 UNI 6604-69 d.35 +0.07/+0.02

Standard sprockets and idler wheels
 material: cast iron

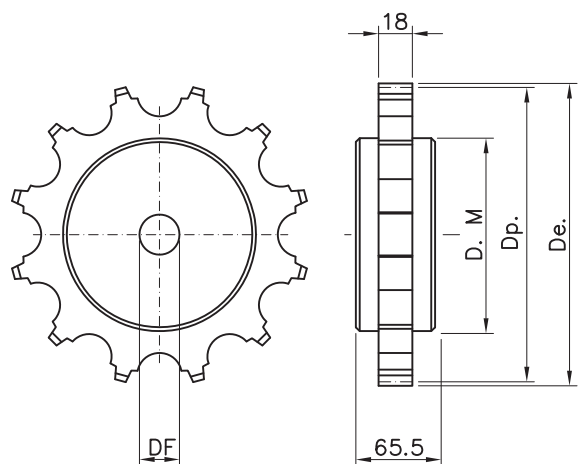


CODE	Z	De	Dp	M	L	Df
S01G08 19*	08	175.3	167.4	75.0	50.0	19
S01G10 19*	10	216.0	207.3	100.0	50.0	19
S01G12 19*	12	254.0	247.4	100.0	63.5	19
S01G14 19*	14	294.6	287.8	100.0	63.5	19

* available upon request and minimum order quantity

MACHINED SPROCKETS AND IDLER WHEELS
1400 Series

Standard sprockets and idler wheels
 materiale: cast iron / polyamide*



CODE	Z	De	Dp	M	Df
S01D10 19*	10	298.0	267.2	105.0	19

* available upon request and minimum order

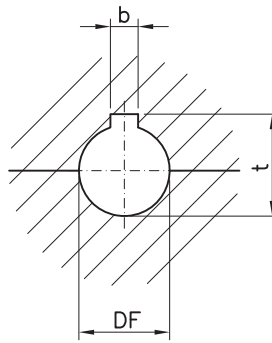
CODE S01D... polyamide
 CODE S01F... cast iron



KEY SEAT TOLERANCE AND DIMENSIONS UNI 6604-69/ISO773/DIN6885

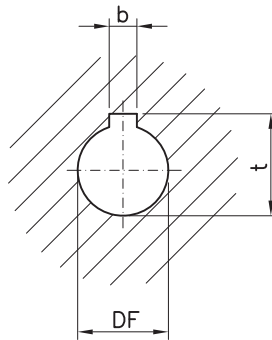
Split sprockets

DF mm		b mm		t mm	
Dim	Tol	Dim	Tol	Dim	Tol
20	P9	6	P9	22.8	+ 0.1
	- 0.022		- 0.012		0
	- 0.074		- 0.042		
25	P9	8	P9	28.3	+ 0.2
	- 0.022		- 0.015		0
	- 0.074		- 0.051		
30	P9	8	P9	33.3	+ 0.2
	- 0.022		- 0.015		0
	- 0.074		- 0.051		
35	P9	10	P9	38.3	+ 0.2
	- 0.026		- 0.015		0
	- 0.088		- 0.051		
40	P9	12	P9	43.3	+ 0.2
	- 0.026		- 0.018		0
	- 0.088		- 0.061		
45	P9	14	P9	48.8	+ 0.2
	- 0.026		- 0.018		0
	- 0.088		- 0.061		
50	P9	14	P9	53.8	+ 0.2
	- 0.026		- 0.018		0
	- 0.088		- 0.061		



Standard sprockets

DF mm		b mm		t mm	
Dim	Tol	Dim	Tol	Dim	Tol
20	H7	6	D10	22.8	+ 0.1
	+0.021		- 0.078		0
	0		- 0.030		
25	H7	8	D10	28.3	+ 0.2
	+0.021		- 0.098		0
	0		- 0.040		
30	H7	8	D10	33.3	+ 0.2
	+0.021		- 0.098		0
	0		- 0.040		
35	H7	10	D10	38.3	+ 0.2
	+0.025		- 0.098		0
	0		- 0.040		
40	H7	12	D10	43.3	+ 0.2
	+0.025		- 0.120		0
	0		- 0.050		
45	H7	14	D10	48.8	+ 0.2
	+0.025		- 0.120		0
	0		- 0.050		
50	H7	14	D10	53.8	+ 0.2
	+0.025		- 0.120		0
	0		- 0.050		



Standard and split idler wheels

DF mm	
Dim	Tol
20	+ 0.4
	+ 0.2
25	+ 0.4
	+ 0.2
30	+ 0.4
	+ 0.2
35	+ 0.4
	+ 0.2

40	+ 0.4
	+ 0.2
45	+ 0.4
	+ 0.2
50	+ 0.4
	+ 0.2

